

MODBUS over Serial Line

Specification and Implementation Guide

V1.01

Contents

| | | |
|-----|---|----|
| 1 | Introduction | 4 |
| 1.1 | Scope of this document | 4 |
| 1.2 | Protocol overview..... | 5 |
| 1.3 | Conventions | 5 |
| 1.4 | Compliance | 6 |
| 1.5 | Glossary..... | 6 |
| 2 | MODBUS Data Link Layer | 7 |
| 2.1 | MODBUS Master / Slaves protocol principle..... | 7 |
| 2.2 | MODBUS Addressing rules..... | 8 |
| 2.3 | MODBUS frame description..... | 8 |
| 2.4 | Master / Slaves State Diagrams..... | 9 |
| 2.5 | The two serial Transmission Modes..... | 12 |
| 2.6 | Error Checking Methods | 19 |
| 3 | Physical Layer..... | 20 |
| 3.1 | Preamble..... | 20 |
| 3.2 | Data Signaling Rates | 20 |
| 3.3 | Electrical Interfaces..... | 21 |
| 3.4 | Multipoint System requirements..... | 27 |
| 3.5 | Mechanical Interfaces | 29 |
| 3.6 | Cables..... | 32 |
| 3.7 | Visual Diagnosis | 32 |
| 4 | Installation and Documentation | 33 |
| 4.1 | Installation..... | 33 |
| 4.2 | User Guide..... | 33 |
| 5 | Implementation Classes | 34 |
| 6 | Appendix..... | 35 |
| 6.1 | Appendix A - Management of Serial Line Diagnostic Counters..... | 35 |
| 6.2 | Appendix B - LRC/CRC Generation..... | 38 |
| 6.3 | Appendix E - References | 44 |

| Document modifications | | |
|------------------------|--------------|--|
| | Month-Year | Modifications |
| 1.0 | Nov 02 | Creation. This document comprises a description of Master / slave protocol and of the two different transmission modes (RTU, ASCII). The main features of the physical layer (RS485, RS232) and some recommendations are provided. Implementation classes are proposed to guide the implementation. |
| 1.01 | Aug 30, 2006 | Minor clarifications and correction of typos. |

1 Introduction

1.1 Scope of this document

The MODBUS standard defines an application layer messaging protocol, positioned at level 7 of the OSI model that provides "client/server" communications between devices connected on different types of buses or networks. It standardizes also a specific protocol on serial line to exchange MODBUS request between a master and one or several slaves.

The objective of this document is to present the MODBUS protocol over serial line, in order to be used by all system designers when they want to implement MODBUS protocol on their serial line products. Thus, this document will facilitate interoperability between devices using the MODBUS protocol.

This document comes in complement to the document called "MODBUS Application Protocol Specification".

In chapter 5 different implementation classes are defined for "MODBUS Serial Line". Specification of a class is the sum of requirements that a device must respect in order to belong to that class.

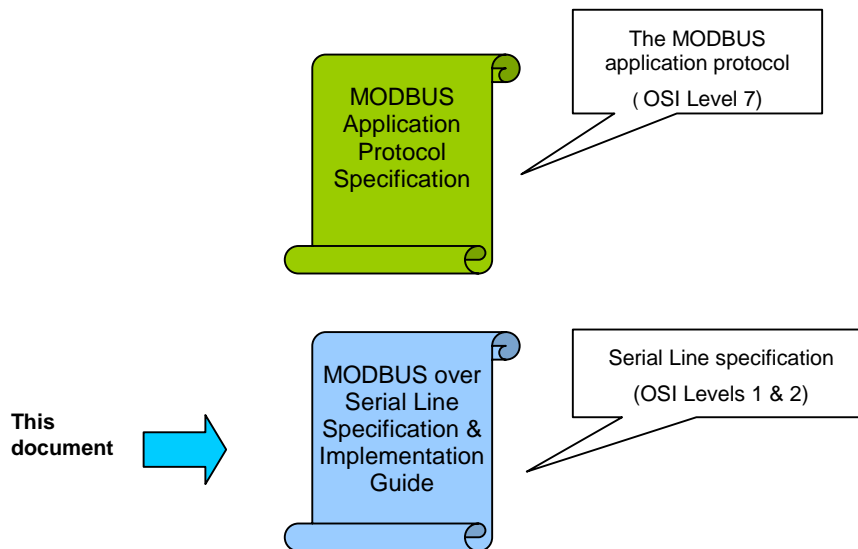


Figure 1: General overview of MODBUS documents

1.2 Protocol overview

This document describes the MODBUS over Serial Line protocol. **MODBUS Serial Line protocol is a Master-Slave protocol.** This protocol takes place at level 2 of the OSI model.

A master-slave type system has one node (the master node) that issues explicit commands to one of the "slave" nodes and processes responses. Slave nodes will not typically transmit data without a request from the master node, and do not communicate with other slaves.

At the physical level, MODBUS over Serial Line systems may use different physical interfaces (RS485, RS232). TIA/EIA-485 (RS485) Two-Wire interface is the most common. As an add-on option, RS485 Four-Wire interface may also be implemented. A TIA/EIA-232-E (RS232) serial interface may also be used as an interface, when only short point to point communication is required. (see chapter "Physical Layer")

The following figure gives a general representation of MODBUS serial communication stack compared to the 7 layers of the OSI model.

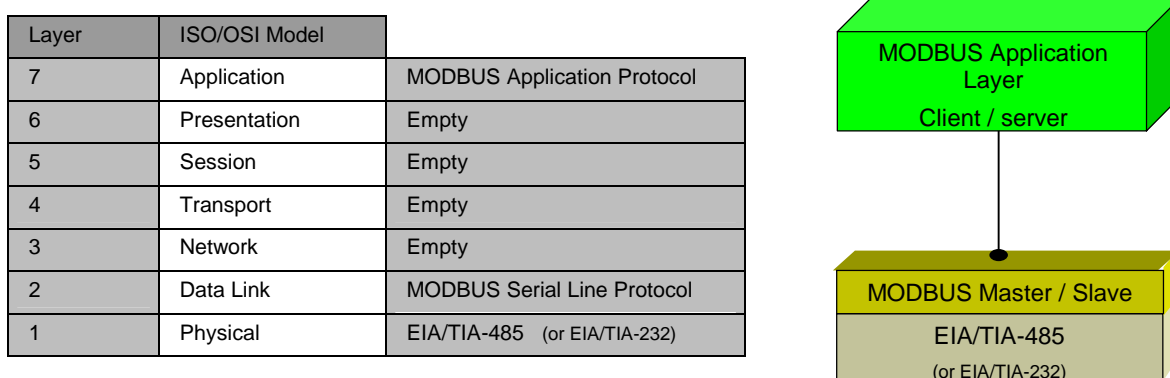


Figure 2: MODBUS Protocols and ISO/OSI Model

MODBUS application layer messaging protocol, positioned at level 7 of the OSI model, provides client/server communication between devices connected on buses or networks. On MODBUS serial line the client role is provided by the Master of the serial bus and the Slaves nodes act as servers.

1.3 Conventions

In this document, the following words are used to define the significance of each particular **requirement**.

- **"MUST" / "REQUIRED"**

All requirements containing the word **"MUST"** are mandatory. The word **MUST**, or the adjective **"REQUIRED"**, means that the item is an absolute requirement of the implementation. These words are underlined.

- **"SHOULD" / "RECOMMENDED"**

All recommendations containing the word **"SHOULD"**, or the adjective **"RECOMMENDED"**, are considered desired behavior. These recommendations should be used as a guideline when choosing between different options to implement functionality. There may be valid reasons in particular circumstances to ignore this item, but the full implications should be understood and the case carefully weighed before choosing a different course. These words are underlined.

- **"MAY" / "OPTIONAL"**

The word **"MAY"**, or the adjective **"OPTIONAL"**, means that this item is truly optional. One designer may choose to include the item because a particular marketplace requires it or because it enhances the product, for example; another designer may omit the same item.

1.4 Compliance

An implementation is **not in conformity** if it fails to satisfy one or more of the **MUST** requirements from its implementation class.

An implementation that satisfies all the **MUST** requirements and all the **SHOULD** recommendations is said to be "**unconditionally compliant**".

One that satisfies all the **MUST** requirements but not all the **SHOULD** recommendations is said to be "**conditionally compliant**".

1.5 Glossary

Definition of particular words, symbols, and abbreviations used in this document.

| | |
|---------------|--|
| 2W | The Two-Wire configuration defined in the "Electrical Interface" chapter, or one of its interfaces. |
| 4W | The Four-Wire configuration defined in the "Electrical Interface" chapter, or one of its interfaces. |
| AUI | Attachment Unit Interface |
| Common | The Signal Common in EIA/TIA Standards. In a 2W-or 4W-RS485 MODBUS Network, Signal and optional Power Supply Common |
| DCE | a MODBUS Device, for example a programmable controller adapter, which implements an RS232 Data Circuit-terminating Equipment, also named Data Communication Equipment. |
| Device | or "MODBUS device" : see this definition. |
| Driver | Generator, or Transmitter. |
| DTE | a MODBUS Device, for example a programming panel or a PC, which implements an RS232 Data Terminal Equipment. |
| ITr | Physical bus Interface on Trunk side. |
| IDv | Physical bus Interface on Derivation (or tap or device drop) side. |
| LT | Line Termination. |
| MODBUS Device | a Device that implements MODBUS over Serial Line and respects this Technical Note. |
| RS232 | EIA/ TIA -232 Standard. |
| RS485 | EIA/ TIA -485 Standard. |
| RS485-MODBUS | A 2W-or 4W-Network in accordance with this Technical Note. |
| Transceiver | a Transmitter and a Receiver (or Driver and Receiver). |

2 MODBUS Data Link Layer

2.1 MODBUS Master / Slaves protocol principle

The MODBUS Serial Line protocol is a Master-Slaves protocol. Only one master (at the same time) is connected to the bus, and one or several (247 maximum number) slaves nodes are also connected to the same serial bus. A MODBUS communication is always initiated by the master. The slave nodes will never transmit data without receiving a request from the master node. The slave nodes will never communicate with each other. The master node initiates only one MODBUS transaction at the same time.

The master node issues a MODBUS request to the slave nodes in two modes :

→ In **unicast mode**, the master addresses an individual slave. After receiving and processing the request, the slave returns a message (a 'reply') to the master .

In that mode, a MODBUS transaction consists of 2 messages : a request from the master, and a reply from the slave.

Each slave must have an unique address (from 1 to 247) so that it can be addressed independently from other nodes.

→ In **broadcast mode**, the master can send a request to all slaves.

No response is returned to broadcast requests sent by the master. The broadcast requests are necessarily writing commands. **All devices must accept the broadcast for writing function.** The address 0 is reserved to identify a broadcast exchange.

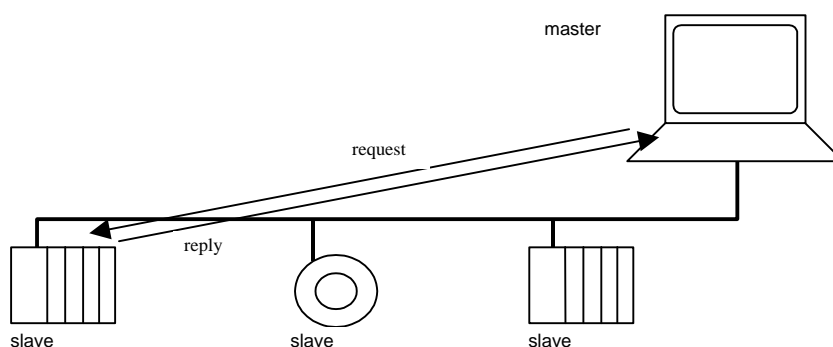


Figure 3: Unicast mode

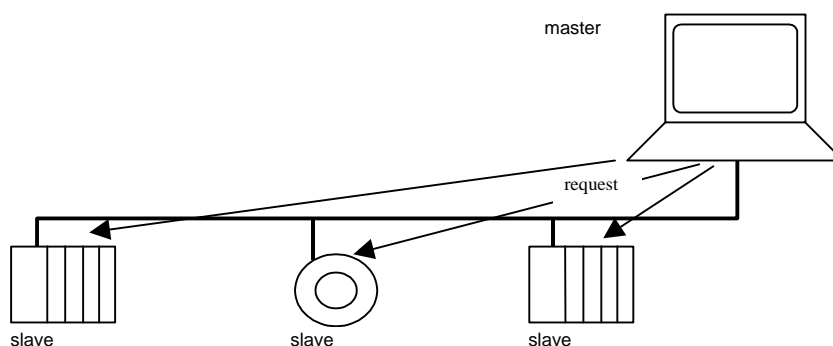


Figure 4: Broadcast mode

2.2 MODBUS Addressing rules

The MODBUS addressing space comprises 256 different addresses.

| | | |
|-------------------|----------------------------|-----------------|
| 0 | From 1 to 247 | From 248 to 255 |
| Broadcast address | Slave individual addresses | Reserved |

The Address 0 is reserved as the broadcast address. All slave nodes must recognise the broadcast address.

The MODBUS Master node has no specific address, only the slave nodes must have an address. This address must be unique on a MODBUS serial bus.

2.3 MODBUS frame description

The MODBUS application protocol [1] defines a simple Protocol Data Unit (PDU) independent of the underlying communication layers:

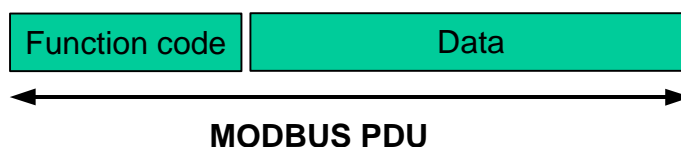


Figure 5: MODBUS Protocol Data Unit

The mapping of MODBUS protocol on a specific bus or network introduces some additional fields on the Protocol Data Unit. The client that initiates a MODBUS transaction builds the MODBUS PDU, and then adds fields in order to build the appropriate communication PDU.

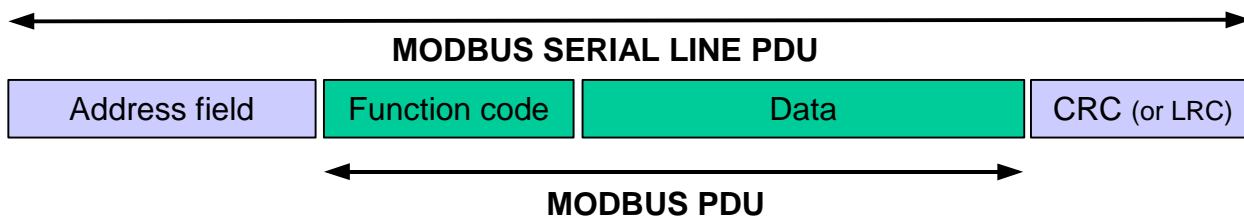


Figure 6: MODBUS frame over Serial Line

- On MODBUS Serial Line, the Address field only contains the slave address.

As described in the previous section the valid slave nodes addresses are in the range of 0 – 247 decimal. The individual slave devices are assigned addresses in the range of 1 – 247. A master addresses a slave by placing the slave address in the address field of the message. When the slave returns its response, it places its own address in the response address field to let the master know which slave is responding.

- The function code indicates to the server what kind of action to perform. The function code can be followed by a data field that contains request and response parameters.
- Error checking field is the result of a "Redundancy Checking" calculation that is performed on the message contents. Two kinds of calculation methods are used depending on the transmission mode that is being used (RTU or ASCII). (see 2.5 section, "The two serial Transmission Modes")

2.4 Master / Slaves State Diagrams

The MODBUS data link layer comprises two separate sub layers :

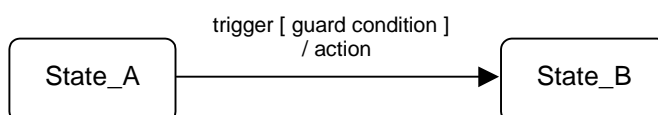
- The Master / slave protocol
- The transmission mode (RTU vs ASCII modes)

The following sections describes the state diagrams of a master and a slave that are independent of transmission modes used.

The RTU and ASCII transmission modes are specified in next chapters using two state diagrams. The reception and the sending of a frame are described.

Syntax of state diagram :

The following state diagrams are drawn in compliance with UML standard notations. The notation is briefly recalled below :



When a "trigger" event occurs in a system being in "State_A", system is going into "State_B", only if "guard condition" is true. An action "action" is then performed.

2.4.1 Master State diagram

The following drawing explains the Master behavior :

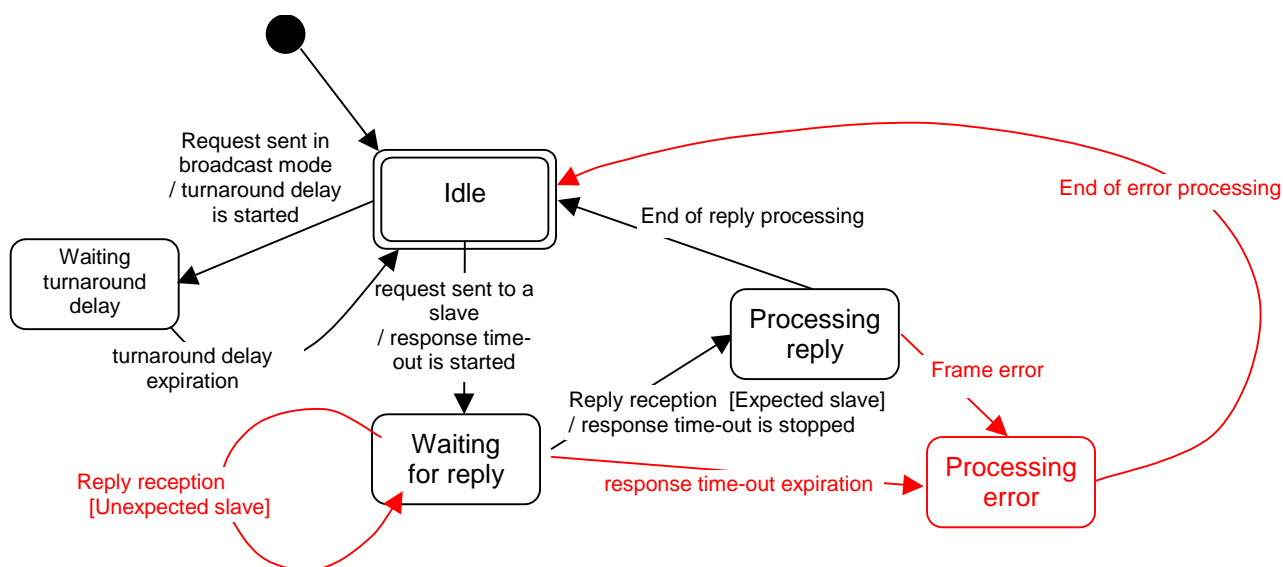


Figure 7: Master state diagram

Some explanations about the state diagram above :

- State "Idle" = no pending request. This is the initial state after power-up. A request can only be sent in "Idle" state. After sending a request, the Master leaves the "Idle" state, and cannot send a second request at the same time
- When a unicast request is sent to a slave, the master goes into "Waiting for reply" state, and a "Response Time-out" is started. It prevents the Master from staying indefinitely in "Waiting for reply" state. Value of the Response time-out is application dependant.
- When a reply is received, the Master checks the reply before starting the data processing. The checking may result in an error, for example a reply from an unexpected slave, or an error in the received frame. In case of a reply received from an unexpected slave, the Response time-out is kept running. In case of an error detected on the frame, a retry may be performed.
- If no reply is received, the Response time-out expires, and an error is generated. Then the Master goes into "Idle" state, enabling a retry of the request. The maximum number of retries depends on the master set-up.

- When a broadcast request is sent on the serial bus, no response is returned from the slaves. Nevertheless a delay is respected by the Master in order to allow any slave to process the current request before sending a new one. This delay is called "Turnaround delay". Therefore the master goes into "Waiting Turnaround delay" state before going back in "idle" state and before being able to send another request.
- In unicast the Response time out must be set long enough for any slave to process the request and return the response, in broadcast the Turnaround delay must be long enough for any slave to process only the request and be able to receive a new one. Therefore the Turnaround delay should be shorter than the Response time-out. Typically the Response time-out is from 1s to several second at 9600 bps; and the Turnaround delay is from 100 ms to 200ms.
- Frame error consists of : 1) Parity checking applied to each character; 2) Redundancy checking applied to the entire frame. See §2.6 "Error Checking Methods" for more explanations.

The state diagram is intentionally very simple. It does not take into account access to the line, message framing, or retry following transmission error, etc ... For more details about frame transmission, please refer to 2.5 paragraph, "The two serial Transmission Modes".

2.4.2 Slave State Diagram

The following drawing explains the Slave behavior :

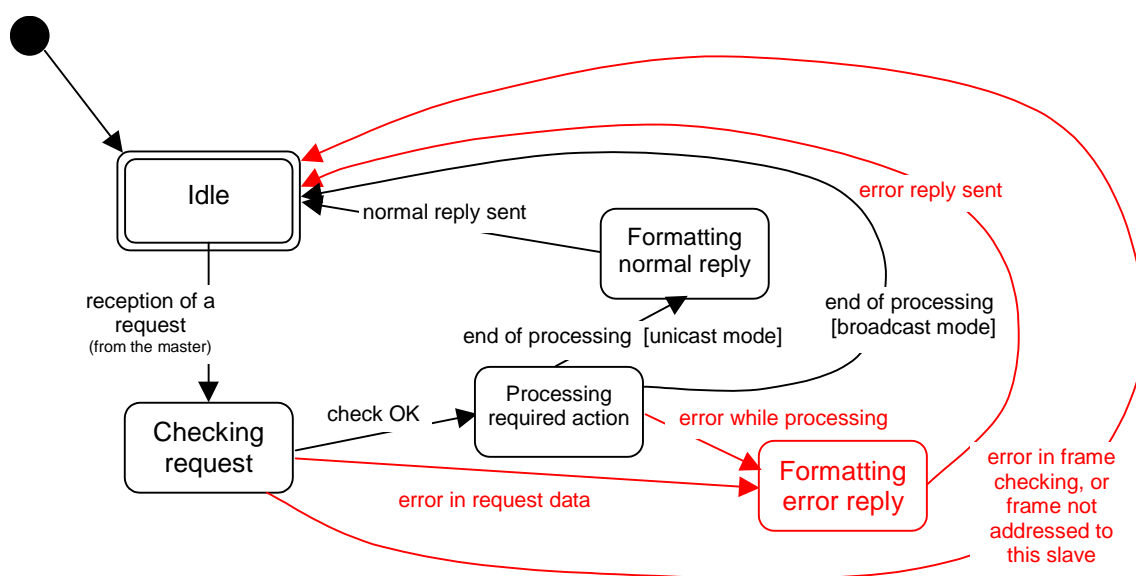


Figure 8: Slave state diagram

Some explanations about the above state diagram :

- State "Idle" = no pending request. This is the initial state after power-up.
- When a request is received, the slave checks the packet before performing the action requested in the packet. Different errors may occur : format error in the request, invalid action, ... In case of error, a reply must be sent to the master.
- Once the required action has been completed, a unicast message requires that a reply must be formatted and sent to the master.
- If the slave detects an error in the received frame, no respond is returned to the master.
- MODBUS diagnostics counters are defined and should be managed by any slave in order to provide diagnostic information. These counters can be get using the Diagnostic MODBUS function (see Appendix A, and the MODBUS application protocol specification [1]).

2.4.3 Master / Slave communication time diagram

This following figure shows the time diagram of 3 typical scenarios of Master / Slave communications.

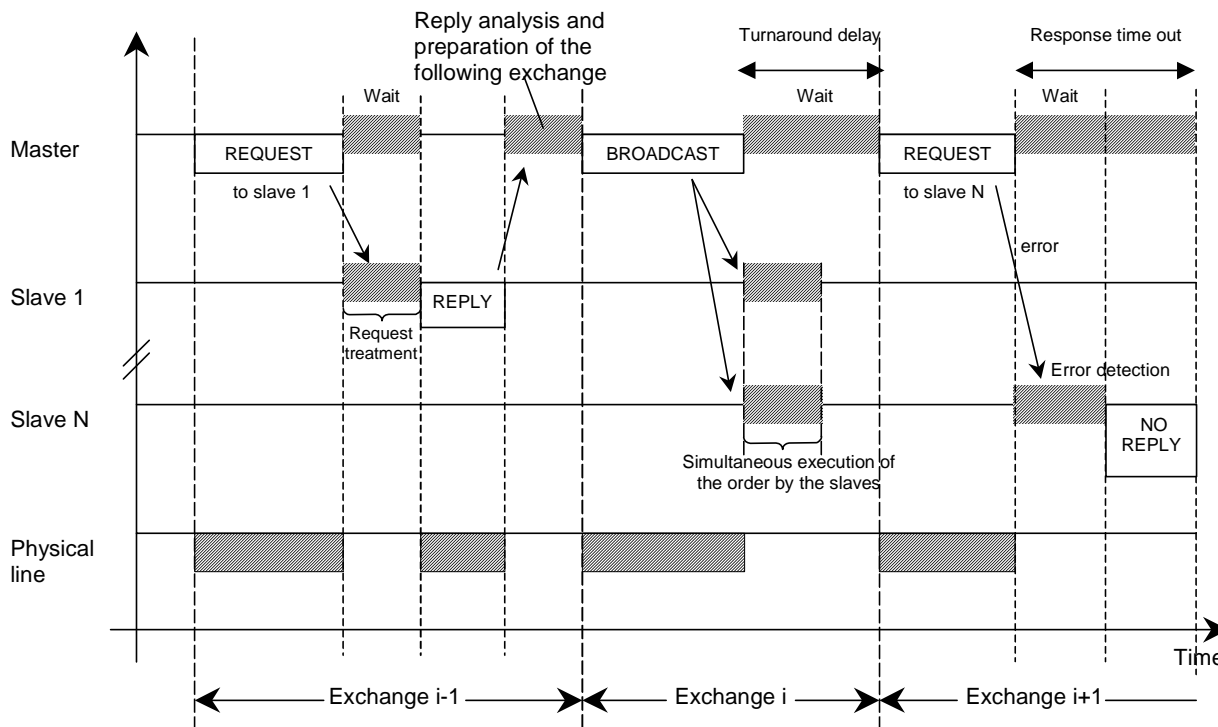


Figure 9: Master / Slave scenario time diagram

Remarks :

- the duration of the REQUEST, REPLY, BROADCAST phases depends on the communication features (frame length and throughput).
- the duration of the WAIT and TREATMENT phases depends on the request processing time needed for the slave application.

2.5 The two serial Transmission Modes

Two different serial transmission modes are defined : The RTU mode and the ASCII mode.

It defines the bit contents of message fields transmitted serially on the line. It determines how information is packed into the message fields and decoded.

The transmission mode (and serial port parameters) must be the same for all devices on a MODBUS Serial Line.

Although the ASCII mode is required in some specific applications, interoperability between MODBUS devices can be reached only if each device has the same transmission mode : **All devices must implement the RTU Mode.** The ASCII transmission mode is an option.

Devices should be set up by the users to the desired transmission mode, RTU or ASCII. Default setup must be the RTU mode.

2.5.1 RTU Transmission Mode

When devices communicate on a MODBUS serial line using the RTU (Remote Terminal Unit) mode, each 8-bit byte in a message contains two 4-bit hexadecimal characters. The main advantage of this mode is that its greater character density allows better data throughput than ASCII mode for the same baud rate. Each message must be transmitted in a continuous stream of characters.

The format for each byte (11 bits) in RTU mode is :

Coding System: 8-bit binary
Bits per Byte: 1 start bit
 8 data bits, least significant bit sent first
 1 bit for parity completion
 1 stop bit

Even parity is required, other modes (odd parity, no parity) may also be used. In order to ensure a maximum compatibility with other products, it is recommended to support also No parity mode. The default parity mode must be even parity.

Remark : the use of no parity requires 2 stop bits.

How Characters are Transmitted Serially :

Each character or byte is sent in this order (left to right):

Least Significant Bit (LSB) . . . Most Significant Bit (MSB)

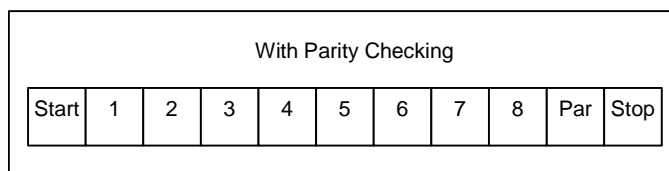


Figure 10: Bit Sequence in RTU mode

Devices may accept by configuration either Even, Odd, or No Parity checking. If No Parity is implemented, an additional stop bit is transmitted to fill out the character frame to a full 11-bit asynchronous character :

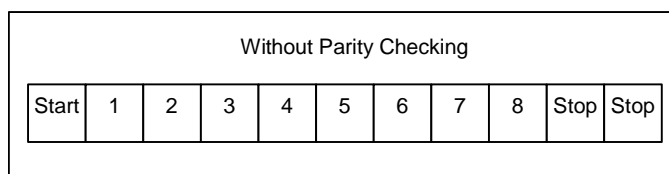


Figure 11: Bit Sequence in RTU mode (specific case of No Parity)

Frame Checking Field : Cyclical Redundancy Checking (CRC)

Frame description :

| | | | |
|---------------|---------------|---------------------|-----------------------------|
| Slave Address | Function Code | Data | CRC |
| 1 byte | 1 byte | 0 up to 252 byte(s) | 2 bytes CRC Low CRC Hi |

Figure 12: RTU Message Frame

→ The maximum size of a MODBUS RTU frame is 256 bytes.

2.5.1.1 MODBUS Message RTU Framing

A MODBUS message is placed by the transmitting device into a frame that has a known beginning and ending point. This allows devices that receive a new frame to begin at the start of the message, and to know when the message is completed. Partial messages must be detected and errors must be set as a result.

In RTU mode, message frames are separated by a silent interval of at least 3.5 character times. In the following sections, this time interval is called t_{3,5}.

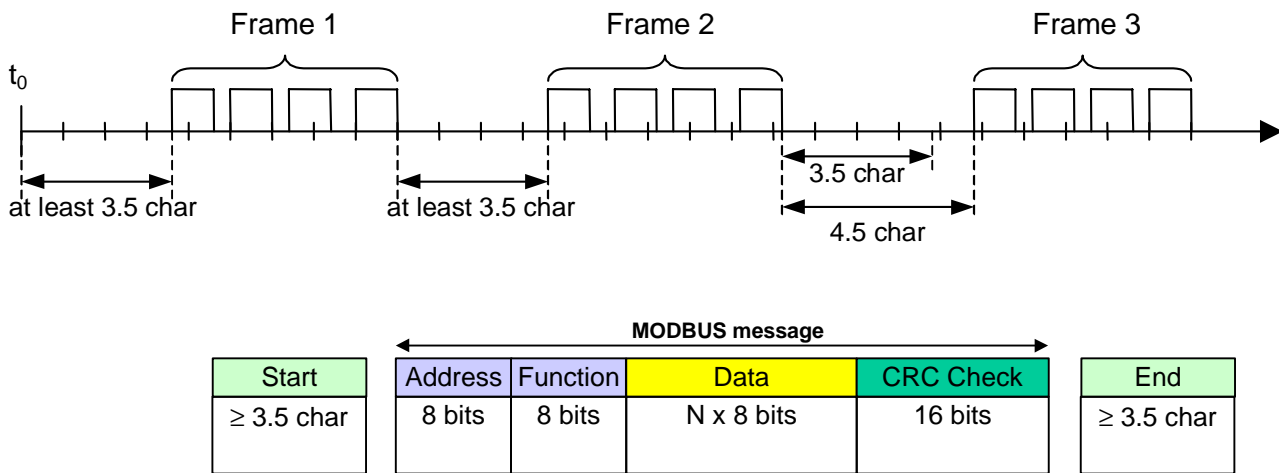
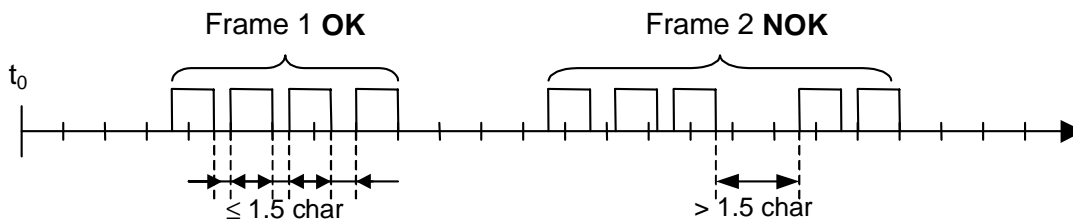


Figure 13: RTU Message Frame

The entire message frame must be transmitted as a continuous stream of characters.

If a silent interval of more than 1.5 character times occurs between two characters, the message frame is declared incomplete and should be discarded by the receiver.



Remark :

The implementation of RTU reception driver may imply the management of a lot of interruptions due to the t_{1,5} and t_{3,5} timers. With high communication baud rates, this leads to a heavy CPU load. Consequently these two timers must be strictly respected when the baud rate is equal or lower than 19200 Bps. For baud rates greater than 19200 Bps, fixed values for the 2 timers should be used: it is recommended to use a value of 750µs for the inter-character time-out (t_{1,5}) and a value of 1.750ms for inter-frame delay (t_{3,5}).

The following drawing provides a description of the RTU transmission mode state diagram. Both "master" and "slave" points of view are expressed in the same drawing :

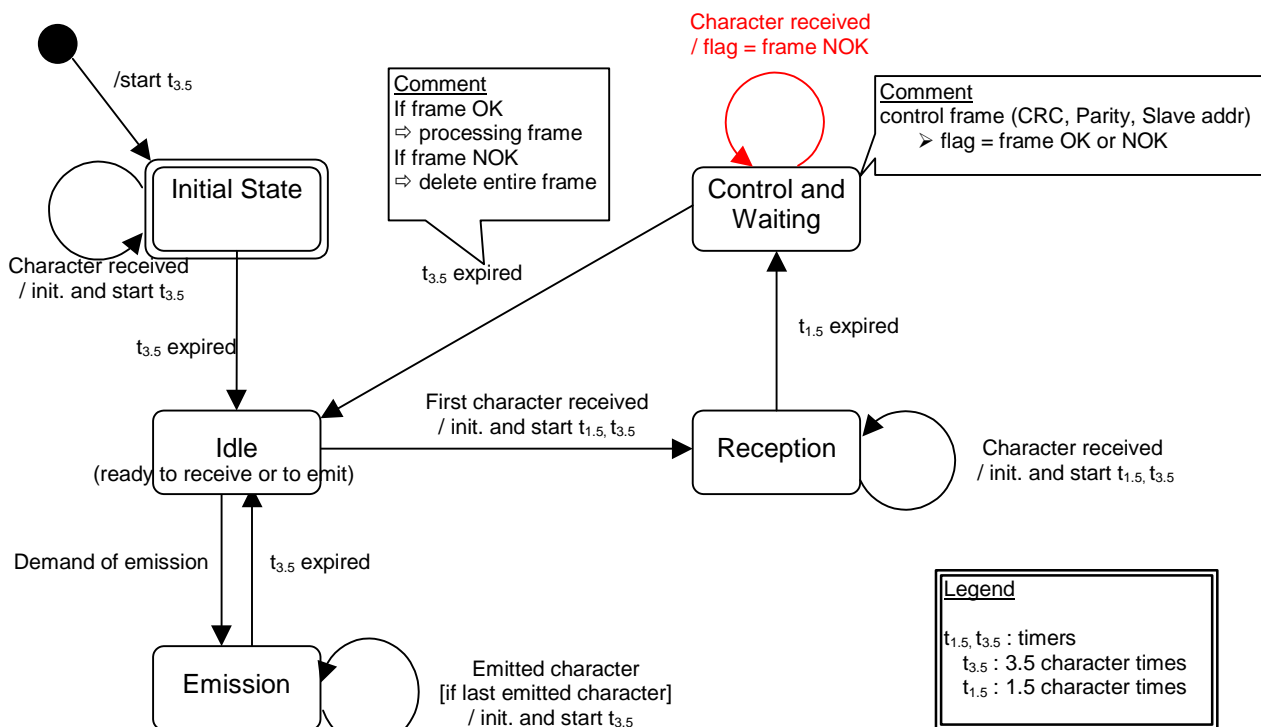


Figure 14: RTU transmission mode state diagram

Some explanations about the above state diagram:

- Transition from "Initial State" to "Idle" state needs t_{3.5} time-out expiration : that insures inter-frame delay
- "Idle" state is the normal state when neither emission nor reception is active.
- In RTU mode, the communication link is declared in "idle" state when there is no transmission activity after a time interval equal to at least 3,5 characters.
- When the link is in idle state, each transmitted character detected on the link is identified as the **start of a frame**. The link goes to the "active" state. Then, the **end of frame** is identified when no more character is transmitted on the link after the time interval t_{3.5}.
- After detection of the end of frame, the CRC calculation and checking is completed. Afterwards the address field is analysed to determine if the frame is for the device. If not the frame is discarded. In order to reduce the reception processing time the address field can be analysed as soon as it is received without waiting the end of frame. In this case the CRC will be calculated and checked only if the frame is addressed to the slave (broadcast frame included).

2.5.1.2 CRC Checking

The RTU mode includes an error-checking field that is based on a Cyclical Redundancy Checking (CRC) method performed on the message contents.

The CRC field checks the contents of the entire message. It is applied regardless of any parity checking method used for the individual characters of the message.

The CRC field contains a 16-bit value implemented as two 8-bit bytes.

The CRC field is appended to the message as the last field in the message. When this is done, the low-order byte of the field is appended first, followed by the high-order byte. The CRC high-order byte is the last byte to be sent in the message.

The CRC value is calculated by the sending device, which appends the CRC to the message. The receiving device recalculates a CRC during receipt of the message, and compares the calculated value to the actual value it received in the CRC field. If the two values are not equal, an error results.

The CRC calculation is started by first pre-loading a 16-bit register to all 1's. Then a process begins of applying successive 8-bit bytes of the message to the current contents of the register. Only the eight bits of data in each character are used for generating the CRC. Start and stop bits and the parity bit, do not apply to the CRC.

During generation of the CRC, each 8-bit character is exclusive ORed with the register contents. Then the result is shifted in the direction of the least significant bit (LSB), with a zero filled into the most significant bit (MSB) position. The LSB is extracted and examined. If the LSB was a 1, the register is then exclusive ORed with a preset, fixed value. If the LSB was a 0, no exclusive OR takes place.

This process is repeated until eight shifts have been performed. After the last (eight) shift, the next 8-bit byte is exclusive ORed with the register's current value, and the process repeats for eight more shifts as described above. The final content of the register, after all the bytes of the message have been applied, is the CRC value.

When the CRC is appended to the message, the low-order byte is appended first, followed by the high-order byte. A detailed example of CRC generation is contained in Appendix B.

2.5.2 The ASCII Transmission Mode

When devices are setup to communicate on a MODBUS serial line using ASCII (American Standard Code for Information Interchange) mode, each 8-bit byte in a message is sent as two ASCII characters. This mode is used when the physical communication link or the capabilities of the device does not allow the conformance with RTU mode requirements regarding timers management.

Remark : this mode is less efficient than RTU since each byte needs two characters.

→ Example : The byte 0X5B is encoded as two characters : 0x35 and 0x42 (0x35 ="5", and 0x42 ="B" in ASCII).

The format for each byte (10 bits) in ASCII mode is :

- Coding System:** Hexadecimal, ASCII characters 0–9, A–F
One hexadecimal character contains 4-bits of data within each ASCII character of the message
- Bits per Byte:** 1 start bit
7 data bits, least significant bit sent first
1 bit for parity completion;
1 stop bit

Even parity is required, other modes (odd parity, no parity) may also be used. In order to ensure a maximum compatibility with other products, it is recommended to support also No parity mode. The default parity mode must be Even parity.

Remark : the use of no parity requires 2 stop bits.

How Characters are Transmitted Serially :

Each character or byte is sent in this order (left to right):

Least Significant Bit (LSB) . . . Most Significant Bit (MSB)

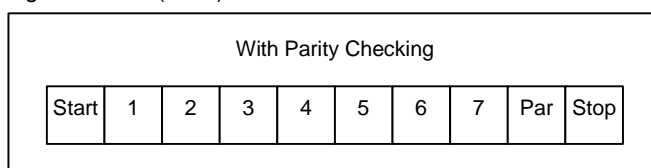


Figure 15: Bit Sequence in ASCII mode

Devices may accept by configuration either Even, Odd, or No Parity checking. If No Parity is implemented, an additional stop bit is transmitted to fill out the character frame :

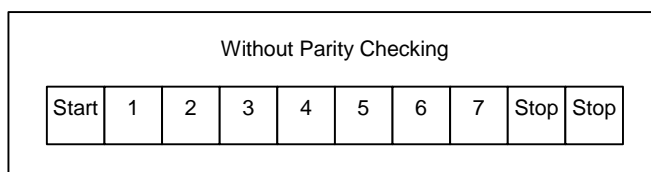


Figure 16: Bit Sequence in ASCII mode (specific case of No Parity)

Frame Checking Field: Longitudinal Redundancy Checking (LRC)

2.5.2.1 MODBUS Message ASCII Framing

A MODBUS message is placed by the transmitting device into a frame that has a known beginning and ending point. This allows devices that receive a new frame to begin at the start of the message, and to know when the message is completed. Partial messages must be detected and errors must be set as a result.

The address field of a message frame contains two characters.

In ASCII mode, a message is delimited by specific characters as Start-of-frames and End-of-frames. A message must start with a 'colon' (:) character (ASCII 3A hex), and end with a 'carriage return – line feed' (CRLF) pair (ASCII 0D and 0A hex).

Remark : The LF character can be changed using a specific MODBUS application command (see MODBUS application protocol specification).

The allowable characters transmitted for all other fields are hexadecimal 0–9, A–F (ASCII coded). The devices monitor the bus continuously for the 'colon' character. When this character is received, each device decodes the next character until it detects the End-Of-Frame.

Intervals of up to one second may elapse between characters within the message. Unless the user has configured a longer timeout, an interval greater than 1 second means an error has occurred. Some Wide-Area-Network application may require a timeout in the 4 to 5 second range.

A typical message frame is shown below.

| Start | Address | Function | Data | LRC | End |
|-------------|---------|----------|-----------------------|---------|------------------|
| 1 char : | 2 chars | 2 chars | 0 up to 2x252 char(s) | 2 chars | 2 chars CR,LF |

Figure 17: ASCII Message Frame

Remark : Each data byte needs two characters for encoding. Thus, to ensure compatibility at MODBUS application level between ASCII mode and RTU mode, the maximum data size for ASCII data field (2x252) is the double the maximum data size for RTU data field (252). Consequently, the maximum size of a MODBUS ASCII frame is 513 characters.

The ASCII framing requirements are synthesized in the following state diagram. Both "master" and "slave" points of view are expressed in the same drawing :

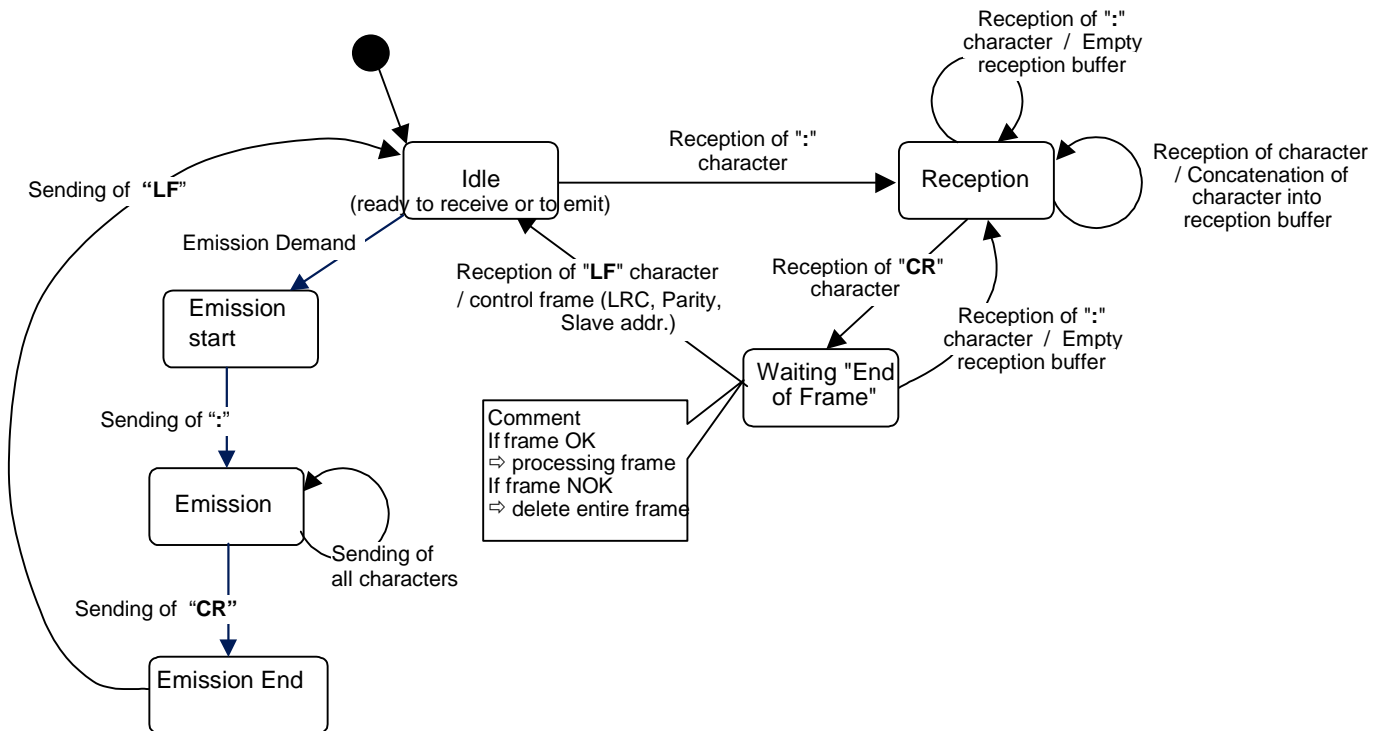


Figure 18: ASCII Transmission mode State diagram

Some explanations about the above state diagram :

- "Idle" state is the normal state when neither emission nor reception is active.
- Each reception of a ":" character means a beginning of a new message. If a message was in process of reception while receiving such a character, the current message is declared incomplete and it is discarded. A new reception buffer is then allocated.
- After detection of the end of frame, the LRC calculation and checking is completed. Afterwards the address field is analyzed to determine if the frame is for the device. If not the frame is discarded. In order to reduce the reception processing time the address field can be analyzed as soon as it is reserved without waiting the end of frame.

2.5.2.2 LRC Checking

In ASCII mode, messages include an error-checking field that is based on a Longitudinal Redundancy Checking (**LRC**) calculation that is performed on the message contents, exclusive of the beginning 'colon' and terminating CRLF pair characters. It is applied regardless of any parity checking method used for the individual characters of the message.

The LRC field is one byte, containing an 8-bit binary value. The LRC value is calculated by the device that emits, which appends the LRC to the message. The device that receives calculates an LRC during receipt of the message, and compares the calculated value to the actual value it received in the LRC field. If the two values are not equal, an error results.

The LRC is calculated by adding together successive 8-bit bytes of the message, discarding any carries, and then two's complementing the result. It is performed on the bytes of the message, before the encoding of each byte in the two ASCII characters corresponding to the hexadecimal representation of each nibble. The computation does not include the 'colon' character that begins the message, and does not include the CRLF pair at the end of the message.

The resulting LRC is ASCII encoded into two bytes and placed at the end of the ASCII mode frame before the CRLF.

A detailed example of LRC generation is contained in Appendix B.

2.6 Error Checking Methods

The security of standard MODBUS Serial Line is based on two kinds of error checking :

- Parity checking (even or odd) should be applied to each character.
- Frame checking (LRC or CRC) must be applied to the entire message.

Both the character checking and message frame checking are generated in the device (master or slave) that emits and applied to the message contents before transmission. The device (slave or master) checks each character and the entire message frame during receipt.

The master is configured by the user to wait for a predetermined timeout interval (Response time-out) before aborting the transaction. This interval is set to be long enough for any slave to respond normally (unicast request). If the slave detects a transmission error, the message will not be acted upon. The slave will not construct a response to the master. Thus the timeout will expire and allow the master's program to handle the error. Note that a message addressed to a nonexistent slave device will also cause a timeout.

2.6.1 Parity Checking

Users may configure devices for Even (required) or Odd Parity checking, or for No Parity checking (recommended). This will determine how the parity bit will be set in each character.

If either Even or Odd Parity is specified, the quantity of 1 bits will be counted in the data portion of each character (seven data bits for ASCII mode, or eight for RTU). The parity bit will then be set to a 0 or 1 to result in an Even or Odd total of 1 bits.

For example, these eight data bits are contained in an RTU character frame:

1100 0101

The total quantity of 1 bits in the frame is four. If Even Parity is used, the frame's parity bit will be a 0, making the total quantity of 1 bits still an even number (four). If Odd Parity is used, the parity bit will be a 1, making an odd quantity (five).

When the message is transmitted, the parity bit is calculated and applied to the frame of each character. The device that receives counts the quantity of 1 bits and sets an error if they are not the same as configured for that device (all devices on the MODBUS Serial Line must be configured to use the same parity checking method).

Note that parity checking can only detect an error if an odd number of bits are picked up or dropped in a character frame during transmission. For example, if Odd Parity checking is employed, and two 1 bits are dropped from a character containing three 1 bits, the result is still an odd count of 1 bits.

If No Parity checking is specified, no parity bit is transmitted and no parity checking can be made. An additional stop bit is transmitted to fill out the character frame.

2.6.2 Frame Checking

Two kinds of frame checking is used depending on the transmission mode, RTU or ASCII.

- In RTU mode, messages include an error-checking field that is based on a Cyclical Redundancy Checking (CRC) method. The CRC field checks the contents of the entire message. It is applied regardless of any parity checking method used for the individual characters of the message.
- In ASCII mode, messages include an error-checking field that is based on a Longitudinal Redundancy Checking (LRC) method. The LRC field checks the contents of the message, exclusive of the beginning 'colon' and ending CRLF pair. It is applied regardless of any parity checking method used for the individual characters of the message.

The detailed information about error checking methods is contained in the previous sections.

3 Physical Layer

3.1 Preamble

A new MODBUS solution over serial line should implement an electrical interface in accordance with EIA/TIA-485 standard (also known as RS485 standard). This standard allows point to point and multipoint systems, in a "two-wire configuration". In addition, some devices may implement a "Four-Wire" RS485-Interface.

A device may also implement an RS232-Interface.

In such a MODBUS system, a Master Device and one or several Slave Devices communicate on a passive serial line.

On standard MODBUS system, all the devices are connected (in parallel) on a trunk cable constituted by 3 conductors. Two of those conductors (the "Two-Wire" configuration) form a balanced twisted pair, on which bi-directional data are transmitted, typically at the bit rate of 9600 bits per second.

Each device may be connected (see figure 19):

- either directly on the trunk cable, forming a daisy-chain,
- either on a passive Tap with a derivation cable,
- either on an active Tap with a specific cable.

Screw Terminals, RJ45, or D-shell 9 connectors may be used on devices to connect cables (see the chapter "Mechanical Interfaces").

3.2 Data Signaling Rates

9600 bps and 19.2 Kbps are required and 19.2 is the required default

Other baud rates may optionally be implemented : 1200, 2400, 4800, ... 38400 bps, 56 Kbps, 115 Kbps, ...

Every implemented baud rate must be respected better than 1% in transmission situation, and must accept an error of 2% in reception situation.

3.3 Electrical Interfaces

3.3.1 Multipoint Serial Bus Infrastructure

Figure 19 gives a general overview of the serial bus infrastructure in a MODBUS multipoint Serial Line system.

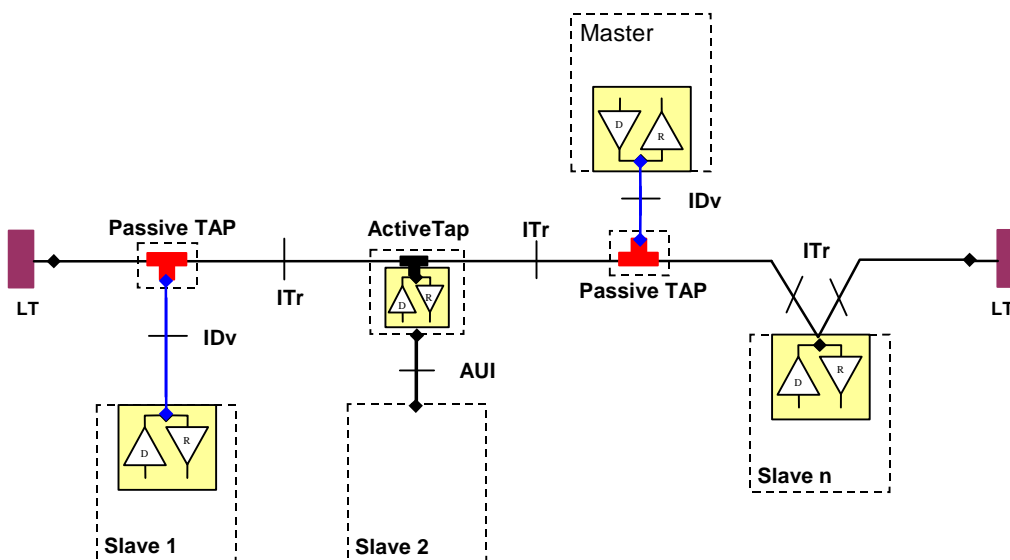


Figure 19 : Serial bus infrastructure

A multipoint MODBUS Serial Line bus is made of a principal cable (**the Trunk**), and possibly some **derivation** cables. Line terminations are necessary at each extremity of the trunk cable for impedance adaptation (see § "Two-Wire MODBUS Definition" & "Optional Four-Wire MODBUS Definition" for details).

As shown in figure 19, different implementations may operate in the same MODBUS Serial Line system :

- the device integrates the communication transceiver and is connected to the trunk using a **Passive Tap** and a derivation cable (**case of Slave 1 and Master**) ;
- the device doesn't integrate the communication transceiver and is connected to the trunk using an **Active Tap** and a derivation cable (the active TAP integrates the transceiver) (**case of Slave 2**) ;
- the device is connected directly to the trunk cable, in a **Daisy-Chain** (**case of Slave n**)

The following conventions are adopted :

- The interface with the **trunk** is named **ITr** (Trunk Interface)
- The interface between the device and the **Passive Tap** is named **IDv** (Derivation Interface)
- The interface between the device and the **Active Tap** is named **AUI** (Attachment Unit Interface)

Remarks :

1. In some cases, the Tap may be connected directly to the IDv-socket or the AUI-socket of the device, without using a derivation cable.
2. A Tap may have several IDv sockets to connect several devices. Such a Tap is named **Distributor** when it is a passive one.
3. When using an active Tap, power supply of the Tap may be provided either via its AUI or ITr interface.

ITr and **IDv** interfaces are described in the following chapters (see § "Two-Wire MODBUS DEFINITION" & "Four-Wire MODBUS DEFINITION").

3.3.2 Two-Wire MODBUS Definition

A MODBUS solution over serial line should implement a “Two-Wire” electrical interface in accordance with EIA/TIA-485 standard.

On such a 2W-bus, at any time one driver only has the right for transmitting.

In fact a third conductor must also interconnect all the devices of the bus : the common.

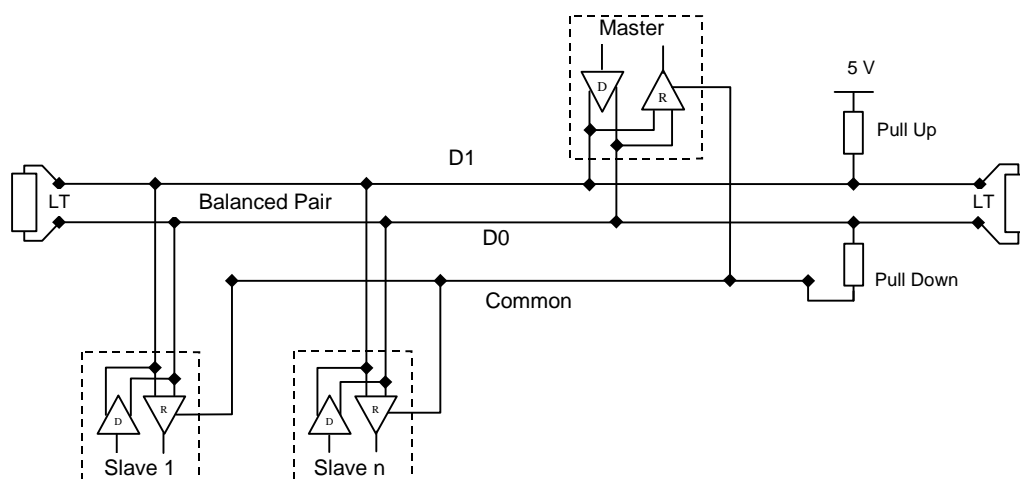


Figure 20: General 2-Wire Topology

2W-MODBUS Circuits Definition

| Required Circuits | | For device | Required on device | EIA/TIA-485 name | Description |
|-------------------|--------|------------|--------------------|------------------|--|
| on ITr | on IDv | | | | |
| D1 | D1 | I/O | X | B/B' | Transceiver terminal 1, V1 Voltage (V1 > V0 for binary 1 [OFF] state) |
| D0 | D0 | I/O | X | A/A' | Transceiver terminal 0, V0 Voltage (V0 > V1 for binary 0 [ON] state) |
| Common | Common | -- | X | C/C' | Signal and optional Power Supply Common |

Notes :

- For Line Termination (LT), Pull Up and Pull Down resistors, please refer to section “Multipoint System requirements”.
- D0, D1, and Common circuit names must be used in the documentation related to the device and the Tap (User Guide, Cabling Guide, ...) to facilitate interoperability.
- Optional electrical interfaces may be added, for example :
 - **Power Supply** : 5..24 V D.C.
 - **Port mode control** : PMC circuit (TTL compatible). When needed, port mode may be controlled either by this external circuit and/or by another way (a switch on the device for example). In the first case while an open circuit PMC will ask for the 2W-MODBUS mode, a Low level on PMC will switch the port into 4W-MODBUS or RS232-MODBUS Mode, depending on the implementation.

3.3.3 Optional Four-Wire MODBUS Definition

Optionally, such MODBUS devices also permit to implement a **2-pair** bus (4 wires) of mono directional data. The data on the **master pair** (RXD1-RXD0) are only received by the slaves ; the data on the **slave pair** (TXD1-TXD0) are only received by the only master.

In fact a fifth conductor must also interconnect all the devices of the 4W-bus : the common.

In the same way as on a 2W-MODBUS, at any time one driver only has the right for emitting.

Such a device must implement, for each balanced pair, a driver and a transceiver **in accordance with EIA/ TIA-485**. (Sometimes this solution has been named "RS422", which is not correct : the RS422 standard does not support several drivers on one balanced pair.)

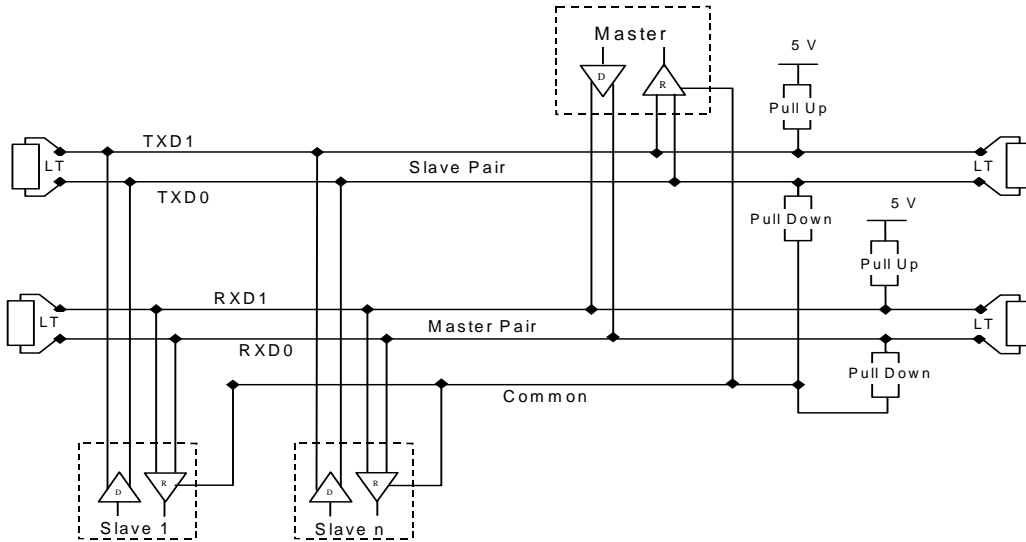


Figure 21: General 4-wire topology

Optional 4W-MODBUS Circuits Definition

| Required Circuits | | For device | Required on device | EIA/TIA-485 name | Description for IDv |
|-------------------|--------|------------|--------------------|------------------|--|
| on ITr | on IDv | | | | |
| TXD1 | TXD1 | Out | X | B | Generator terminal 1 , Vb Voltage (Vb > Va for binary 1 [OFF] state) |
| TXD0 | TXD0 | Out | X | A | Generator terminal 0 , Va Voltage (Va > Vb for binary 0 [ON] state) |
| RXD1 | RXD1 | In | (1) | B' | Receiver terminal 1 , Vb' Voltage (Vb' > Va' for binary 1 [OFF] state) |
| RXD0 | RXD0 | In | (1) | A' | Receiver terminal 0 , Va' Voltage (Va' > Vb' for binary 0 [ON] state) |
| Common | Common | -- | X | C/C' | Signal and optional Power Supply Common |

Notes :

- For Line Termination (LT), Pull Up and Pull Down resistors, please refer to section "Multipoint System requirements".
- Those circuits (1) are required only if an 4W-MODBUS option is implemented.
- The name of the 5 required circuits must be used in the documentation related to the device and the Tap (User Guide, Cabling Guide, ...) to facilitate interoperability.
- Optional electrical interfaces may be added, for example :
 - **Power Supply** : 5..24 V D.C.
 - **PMC circuit** : See above (In 2W-MODBUS Circuits Definition) the note about this optional circuit.

3.3.3.1 4W-Cabling System Important Topic

In such a 4W-MODBUS, Master Device and Slave Devices have IDv interfaces with the same 5 required circuits. As the master has to :

- receive from the slave the data on the slave pair (TXD1-TXD0),
- and transmit on the master pair (RXD1-RXD0 , received by the slaves) ,

the 4W-cabling system must cross the two pairs of the bus between ITr and the IDv of the master :

| | Signal on Master IDv | | EIA/TIA-485 Name | Circuit on ITr |
|--------------------|----------------------|------|---------------------|----------------|
| | Name | Type | | |
| Slave Pair | RXD1 | In | B' | TXD1 |
| | RXD0 | In | A' | TXD0 |
| Master Pair | TXD1 | Out | B | RXD1 |
| | TXD0 | Out | A | RXD0 |
| | Common | -- | C/C' | Common |

This crossing may be implemented by crossed cables, but the connection of such crossed cables in a 2-wire system may cause damages. To connect a 4W master device (which have a MODBUS connector) a better solution is to use a Tap which includes the crossing function.

3.3.3.2 Compatibility between 4-Wire and 2-Wire cabling

In order to connect devices implementing a 2-Wire physical interface to an already existing 4-Wire system, the 4-Wire cabling system can be modified as described below :

- TxD0 signal shall be wired with the RxD0 signal, turning them to the D0 signal
- TxD1 signal shall be wired with the RxD1 signal, turning them to the D1 signal.
- Pull-up, Pull-down and line terminations resistors shall be re-arranged to correctly adapt the D0, D1 signals.

The figure hereafter gives an example where slaves 2 and 3 which use a 2-Wire interface can operate with the Master and the slave 1 which use a 4-Wire interface.

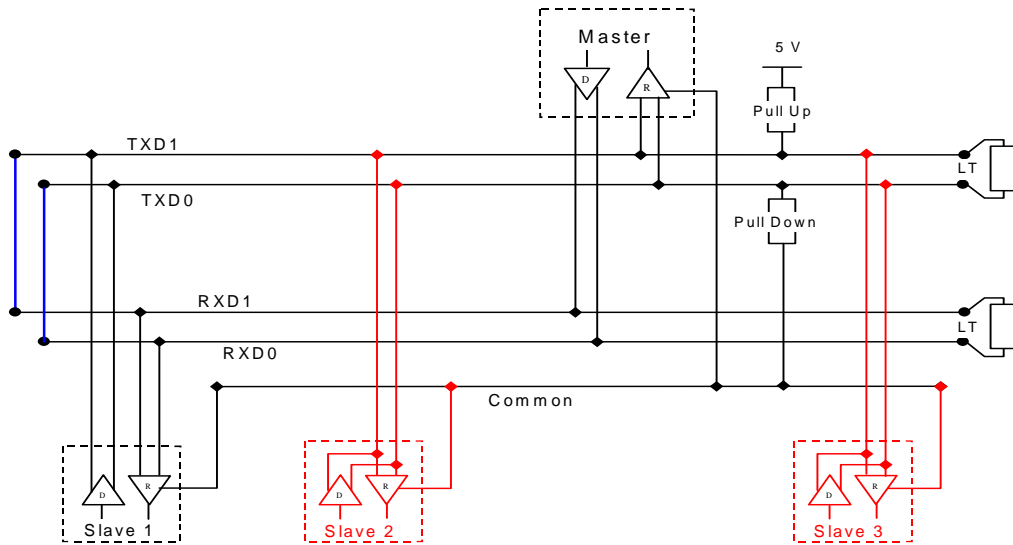


Figure 22 : Changing a 4-Wire cabling system into a 2-Wire cabling system

In order to connect devices implementing a 4-Wire physical interface to an already existing 2-Wire system, the 4-Wire interface of the new coming devices can be arranged as describe below :

On each 4-Wire device interface :

- TxD0 signal shall be wired with the RxD0 signal and then connected to the D0 signal of the trunk ;
- TxD1 signal shall be wired with the RxD1 signal and then connected to the D1 signal of the trunk.

The figure hereafter gives an example where slaves 2 and 3 which use a 4-Wire interface can operate with the Master and the slave 1 which use a 2-Wire interface.

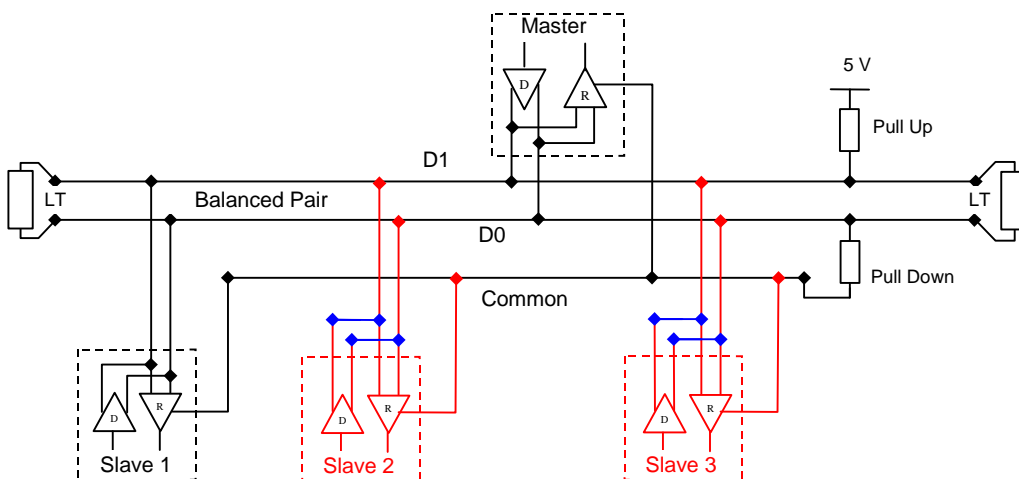


Figure 23 : Connecting devices with 4-Wire interface to a 2-Wire cabling system

3.3.4 RS232-MODBUS Definition

Some devices may implement an RS232-Interface between a DCE and a DTE.

Optional RS232-MODBUS Circuits Definition

| Signal | For DCE | <u>Required on DCE (1)</u> | <u>Required on DTE (1)</u> | Description |
|--------|---------|----------------------------|----------------------------|---|
| Common | -- | X | X | Signal Common |
| CTS | In | | | Clear to Send |
| DCD | -- | | | Data Carrier Detected (from DCE to DTE) |
| DSR | In | | | Data Set Ready |
| DTR | Out | | | Data Terminal Ready |
| RTS | Out | | | Request to Send |
| RXD | In | X | X | Received Data |
| TXD | Out | X | X | Transmitted Data |

Notes :

- "X" marked signals are required only if an RS232-MODBUS option is implemented.
- Signals are in accordance with EIA/ TIA-232.
- Each TXD must be wired with RXD of the other device ;
- RTS may be wired with CTS of the other device,
- DTR may be wired with DSR of the other device.
- Optional electrical interfaces may be added, for example :
 - **Power Supply :** 5..24 V D.C.
 - **PMC circuit :** See above (In 2W-MODBUS Circuits Definition) the note about this optional circuit.

3.3.5 RS232-MODBUS requirements

This optional MODBUS on Serial Line system should only be used for short length (typically less than 20m) point to point inter-connection.

Then, the EIA/TIA-232 standard must be respected :

- ⇒ circuits definition,
- ⇒ maximum wire capacitance to ground (2500 pF, then 25 m for a 100 pF/m cable).

Please refer to chapter "Cables" for the shield, and for the possibility to use Category 5 Cables.

Documentation of the device must indicate :

- ⇒ if the device must be considered as a DCE either as a DTE,
- ⇒ how optional circuits must work if such is the case.

3.4 Multipoint System requirements

For any EIA/ TIA-485 multipoint system, in either 2-wire or 4-wire configuration, the following requirements all apply.

3.4.1 Maximum number of devices without repeater

A figure of **32 devices** is always authorized on any RS485-MODBUS system without repeater.

Depending of :

- all the possible addresses,
- the figure of RS485 Unit Load used by the devices,
- and the line polarization in need be,

A RS485 system may implement a larger number of devices. Some devices allow the implementation of a RS485-MODBUS serial line with more than 32 devices, without repeater.

In this case these MODBUS devices must be documented to say how many of such devices are authorized without repeater.

The use of a **repeater** between two heavy loaded RS485-MODBUS is also possible.

3.4.2 Topology

An RS485-MODBUS configuration without repeater has one trunk cable, along which devices are connected, directly (daisy chaining) or by short derivation cables.

The trunk cable, also named "Bus", can be long (see hereafter). Its two ends must be connected on Line Terminations.

The use of repeaters between several RS485-MODBUS is also possible.

3.4.3 Length

The end to end length of the **trunk cable** must be limited. The maximum length depends on the baud rate, the cable (Gauge, Capacitance or Characteristic Impedance), the number of loads on the daisy chain, and the network configuration (*2-wire or 4-wire*).

For a maximum 9600 Baud Rate and AWG26 (or wider) gauge, the maximum length is 1000m. In the specific case shown in the figure 22 (4 Wire cabling used as a 2 Wire cabling system) the maximum length must be divided by two.

The **derivations** must be short, never more than 20m. If a multi-port tap is used with n derivations, each one must respect a maximum length of 40m divided by n.

3.4.4 Grounding Arrangements

The « Common » circuit (Signal and optional Power Supply Common) must be connected directly to protective ground, preferably at **one point only** for the entire bus. Generally this point is to choose on the master device or on its Tap.

3.4.5 Line Termination

A reflection in a transmission line is the result of an impedance discontinuity that a travelling wave sees as it propagates down the line. To minimize the reflections from the end of the RS485-cable it is required to place a Line Termination **near each of the 2 Ends** of the Bus.

It is important that the line be terminated at **both** ends since the propagation is bi-directional, but it is not allowed to place more than 2 LT on one passive D0-D1 balanced pair . Never place any LT on a derivation cable.

Each line termination must be connected between the two conductors of the balanced line : D0 and D1.

Line termination may be a 150 ohms value (0.5 W) resistor.

A serial capacitor (1 nF, 10 V minimum) with a 120 Ohms (0.25 W) resistor is a better choice when a polarization of the pair must be implemented (see here after).

In a 4W-system, each pair must be terminated at each end of the bus.

In an RS232 interconnections, no termination should be wired.

3.4.6 Line Polarization

When there is no data activity on an RS-485 balanced pair, the lines are not driven and, thus susceptible to external noise or interference. To insure that its receiver stays in a constant state, when no data signal is present, some devices need to bias the network.

Each MODBUS device must be documented to say :

- if the device needs a line polarization,
- if the device implements, or can implement, such a line polarization.

If one or several devices need polarization, **one** pair of resistors must be connected on the RS-485 balanced pair :

- a Pull-Up Resistor to a 5V Voltage on D1 circuit,
- a Pull-Down Resistor to the common circuit on D0 circuit.

The value of those resistors must be between 450 Ohms and 650 Ohms. 650 Ohms resistors value may allow a higher number of devices on the serial line bus.

In this case, a polarization of the pair must be implemented **at one location for the whole Serial Bus**. Generally this point is to choose on the master device or on its Tap. Other devices must not implement any polarization.

The maximum number of devices authorized on such a MODBUS Serial Line is reduced by 4 from a MODBUS without polarization.

3.5 Mechanical Interfaces

Screw Terminals may be used for both IDv and ITr connections. All information must be provided to the users about the exact location of each signal, with names in accordance with the previous chapter “Electrical Interface”.

If a RJ45 (or a mini-DIN or a D-Shell) **connector** is used on an equipment for a MODBUS mechanical interface, a **shielded female connector** must be chosen. Then the cable-end must have a shielded male connector.

3.5.1 Connectors pin-out for 2W-MODBUS

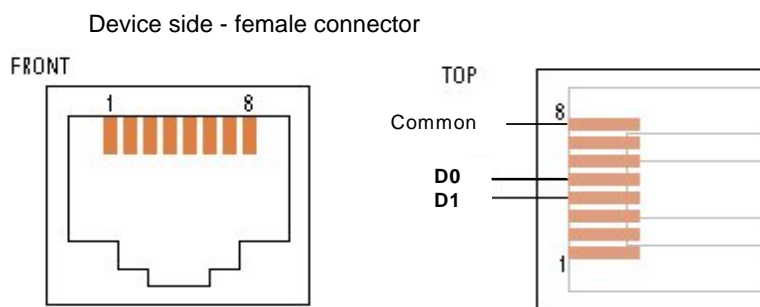


Figure 24: 2W- MODBUS on RJ45 connector (required pin-out)

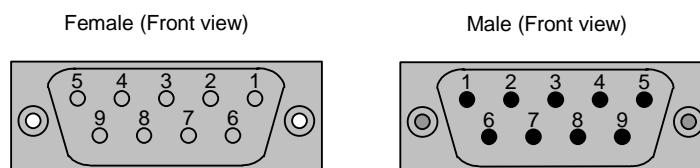


Figure 25: D-shell 9-pin connector

Screw type connectors can also be used.

If an RJ45 or a 9-pin D-shell connector is used for a standard MODBUS device, the pinouts hereafter must be respected for every implemented circuit.

2W-MODBUS RJ45 and 9-pin D-shell Pinouts

| Pin on RJ45 | Pin on D9-shell | Level of requirement | IDv Circuit | ITr Circuit | EIA/TIA-485 name | Description for IDv |
|-------------|-----------------|----------------------|-------------|-------------|------------------|---|
| 3 | 3 | optional | PMC | -- | -- | Port Mode Control |
| 4 | 5 | required | D1 | D1 | B/B' | Transceiver terminal 1, V1 Voltage (V1 > V0 for binary 1 [OFF] state) |
| 5 | 9 | required | D0 | D0 | A/A' | Transceiver terminal 0, V0 Voltage (V0 > V1 for binary 0 [ON] state) |
| 7 | 2 | recommended | VP | -- | -- | Positive 5...24 V D.C. Power Supply |
| 8 | 1 | required | Common | Common | C/C' | Signal and Power Supply Common |

3.5.2 Connectors pin-out for optional 4W-MODBUS

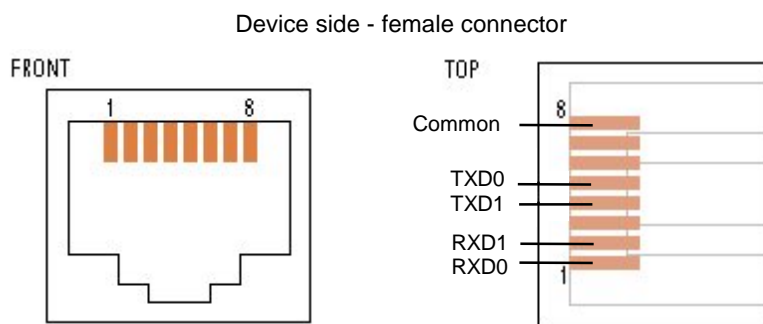


Figure 26: 4W-MODBUS on RJ45 connector (required pin-out)

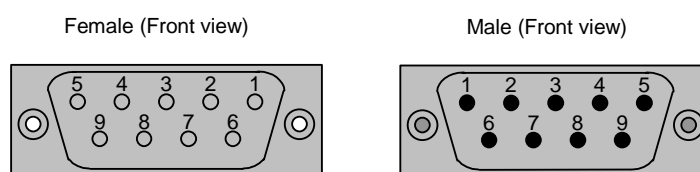


Figure 27: D-shell 9-pin connector

Screw type connectors can also be used.

If an RJ45 or a 9-pin D-shell connector is used for a 4W-MODBUS device, the pinouts hereafter must be respected for every implemented circuit.

Optional 4W-MODBUS RJ45 and 9-pin D-shell Pinouts

| Pin on RJ45 | Pin on D9-shell | Level of requirement | IDv Signal | ITr Signal | EIA/TIA-485 name | Description for IDv |
|-------------|-----------------|----------------------|------------|------------|------------------|---|
| 1 | 8 | required | RXD0 | RXD0 | A' | Receiver terminal 0, Va' Voltage (Va' > Vb' for binary 0 [ON] state) |
| 2 | 4 | required | RXD1 | RXD1 | B' | Receiver terminal 1, Vb' Voltage (Vb' > Va' for binary 1 [OFF] state) |
| 3 | 3 | optional | PMC | -- | -- | Port Mode Control |
| 4 | 5 | required | TXD1 | TXD1 | B | Generator terminal 1, Vb Voltage (Vb > Va for binary 1 [OFF] state) |
| 5 | 9 | required | TXD0 | TXD0 | A | Generator terminal 0, Va Voltage (Va > Vb for binary 0 [ON] state) |
| 7 | 2 | recommended | VP | -- | -- | Positive 5...24 V DC Power Supply |
| 8 | 1 | required | Common | Common | C/C' | Signal and Power Supply Common |

Note : When both 2 and 4-Wire configurations are implemented on the same port, the **4W notations must be used.**

3.5.3 RJ45 and 9-pin D-shell Pinouts for optional RS232-MODBUS

If an RJ45 or a 9-pin D-shell connector is used for a RS232-MODBUS device, the pinouts hereafter must be respected for every implemented circuit.

| DCE <u>Underlined</u> pins can be output | | | Circuit | | | DTE <u>Underlined</u> pins can be output | | |
|---|-----------------|----------------------|---------|------------------|--------------|---|-------------|-----------------|
| Pin on RJ45 | Pin on D9-shell | Level of requirement | Name | Description | RS232 Source | Level of requirement | Pin on RJ45 | Pin on D9-shell |
| <u>1</u> | <u>2</u> | required | TXD | Transmitted Data | DTE | required | <u>2</u> | <u>3</u> |
| 2 | 3 | required | RXD | Received Data | DCE | required | 1 | 2 |
| 3 | 7 | optional | CTS | Clear to Send | DCE | optional | 6 | 8 |
| <u>6</u> | <u>8</u> | optional | RTS | Request to Send | DTE | optional | <u>3</u> | <u>7</u> |
| 8 | 5 | required | Common | Signal Common | -- | required | 8 | 5 |

Important Note : Some DCE Pinouts are crossed with DTE Pinouts with the same name :

A directly pin to pin wired cable (without any crossing) must be used between one DTE (a PC for example) and a DCE (a PLC for example).

3.6 Cables

A MODBUS over Serial Line Cable **must be shielded**. At one end of each cable its shield must be connected to protective ground. If a connector is used at this end, the shell of the connector is connected to the shield of the cable.

An RS485-MODBUS must use **a balanced pair** (for D0-D1) **and a third wire** (for the Common). In addition to that a second balanced pair must be used in a 4W-MODBUS system (for RXD0-RXD1).

If a connectorized 4 pairs Category 5 Cable is used, please remember to the user in the User Guides :

“Connection of a crossed cable in a 2-wire MODBUS system may cause damages”.

To minimize errors in cabling, a Color Code is recommended for the wires in the RS485-MODBUS Cables :

| | Signal Names | Recommended Color |
|------------------------|----------------|-------------------|
| | D1-TXD1 | yellow |
| | D0-TXD0 | brown |
| | Common | grey |
| <i>4W (Optional)</i> | <i>RXD0</i> | <i>white</i> |
| <i>4W (Optional)</i> | <i>RXD1</i> | <i>blue</i> |

Figure 28: Color code for RS485-MODBUS wires

Note : *Category 5 Cables use other colors.*

For RS485-MODBUS, Wire Gauge must be chosen sufficiently wide to permit the maximum length (1000 m). AWG 24 is always sufficient for the MODBUS Data.

Category 5 cables may operate for RS485-MODBUS, to a maximum length of 600m.

For the balanced pairs used in an RS485-system, a **Characteristic Impedance** with a value higher than 100 Ohms may be preferred, especially for 19200 and higher baud rates.

3.7 Visual Diagnosis

For a visual diagnosis, communication status and device status must be indicated by LEDs :

| LED | Level of requirement | State | Recommended colour |
|----------------------|----------------------|--|--------------------|
| Communication | required | Switched ON during frame reception or sending. (2 LEDs for frame reception and frame sending, or 1 LED for both purposes.) | Yellow |
| Error | recommended | Switched ON : internal fault Flashing : Other faults (Communication fault or configuration error) | Red |
| Device status | optional | Switched ON : device powered | Green |

4 Installation and Documentation

4.1 Installation

Product vendor should pay attention to give to the user of a MODBUS System or MODBUS Devices all useful information to prevent them **from any error in cabling** or bad utilization of cabling accessories :

- Some other Fieldbuses, CANopen for example, use the same connector types (D-shell, RJ45...) .
- Studies are conducted on Ethernet, with power supply on the same Balanced Pairs Cable.
- Some Products use for I/O circuits the same connector types (D-shell, RJ45...).

On these connectors, for the most part, **no foolproofing is available** (polarizing notch or other implementation) .

4.2 User Guide

The User Guide of any MODBUS Device or Cabling System Component must include in a non exhaustive manner one or two types of information:

4.2.1 For any MODBUS Product :

The following information should be documented :

- All the implemented requests.
- The operating modes.
- The visual diagnostics.
- The reachable registers and supported function codes.
- Installation rules.

- The required information in the following sections should also be documented :
 - ⇒ "Two-Wire MODBUS Definition" (to mention the Required Circuits) ;
 - ⇒ "Optional Four-Wire MODBUS Definition" (to mention the Required Circuits) ;
 - ⇒ "Line Polarization" (to mention a possible Need or an Implementation) ;
 - ⇒ "Cables" (special care of crossed cables).

- **A specific indication** relating to the devices addresses, is to be written in the form of an important warning :

"It is of great importance to ensure at the time of the procedure of devices addressing, that there is not two devices with the same address. In such a case, an abnormal behavior of the whole serial bus can occur, the Master being then in the impossibility to communicate with all present slaves on the bus."

- A "**Getting Started**" chapter is highly recommended, with the documented description of a typical application example, for an easy start.

4.2.2 For a MODBUS Product with implemented Options :

The different optional parameters must be clearly detailed :

- ⇒ Optional serial Transmission mode ;
- ⇒ Optional Parity Checking ;
- ⇒ Optional Baud Rates ;
- ⇒ Optional Circuit(s) : Power Supply, Port Configuration ;
- ⇒ Optional Interface(s) ;
- ⇒ Maximum number of devices (without repeater) if greater than 32.

5 Implementation Classes

Each device on a MODBUS Serial Line must respect all the **mandatory** requirements of a same implementation class.

The following parameters are used to classify the MODBUS Serial Line devices :

- Addressing
- Broadcasting
- Transmission mode
- Baud rate
- Character format
- Electrical interface parameter

Two implementation classes are proposed, the Basic and the Regular classes.

The regular class must provide configuration capabilities.

| | BASIC | | REGULAR | Default value |
|-----------------------------|--|---|--|---|
| Addressing | Slave : configurable address from 1 to 247 | Master : to be able to address a slave from address 1 to 247 | Same as Basic | - |
| Broadcast | Yes | | Yes | - |
| Baud Rate | 9600 (19200 is also recommended) | | 9600, 19200 + additional configurable baud rates | 19200 (if implemented, else 9600) |
| Parity | EVEN | | EVEN + possibility to configure NO and ODD parity | EVEN |
| Mode | RTU | | RTU + ASCII | RTU |
| Electrical Interface | RS485 2W-cabling or RS232 | | RS485 2W-cabling (and 4W-cabling as an additional option) or RS232 | RS485 2W-cabling |
| Connector Type | RJ 45 (recommended) | | | - |

6 Appendix

6.1 Appendix A - Management of Serial Line Diagnostic Counters

6.1.1 General description

MODBUS Serial Line defines a list of diagnostic counters to allow performance and error management.

These counters are accessible using the MODBUS application protocol and its Diagnostic function (function code 08).

Each counter can be get by a sub-function code bound to the counter number. All counters can be cleared using the sub-function code 0x0A.

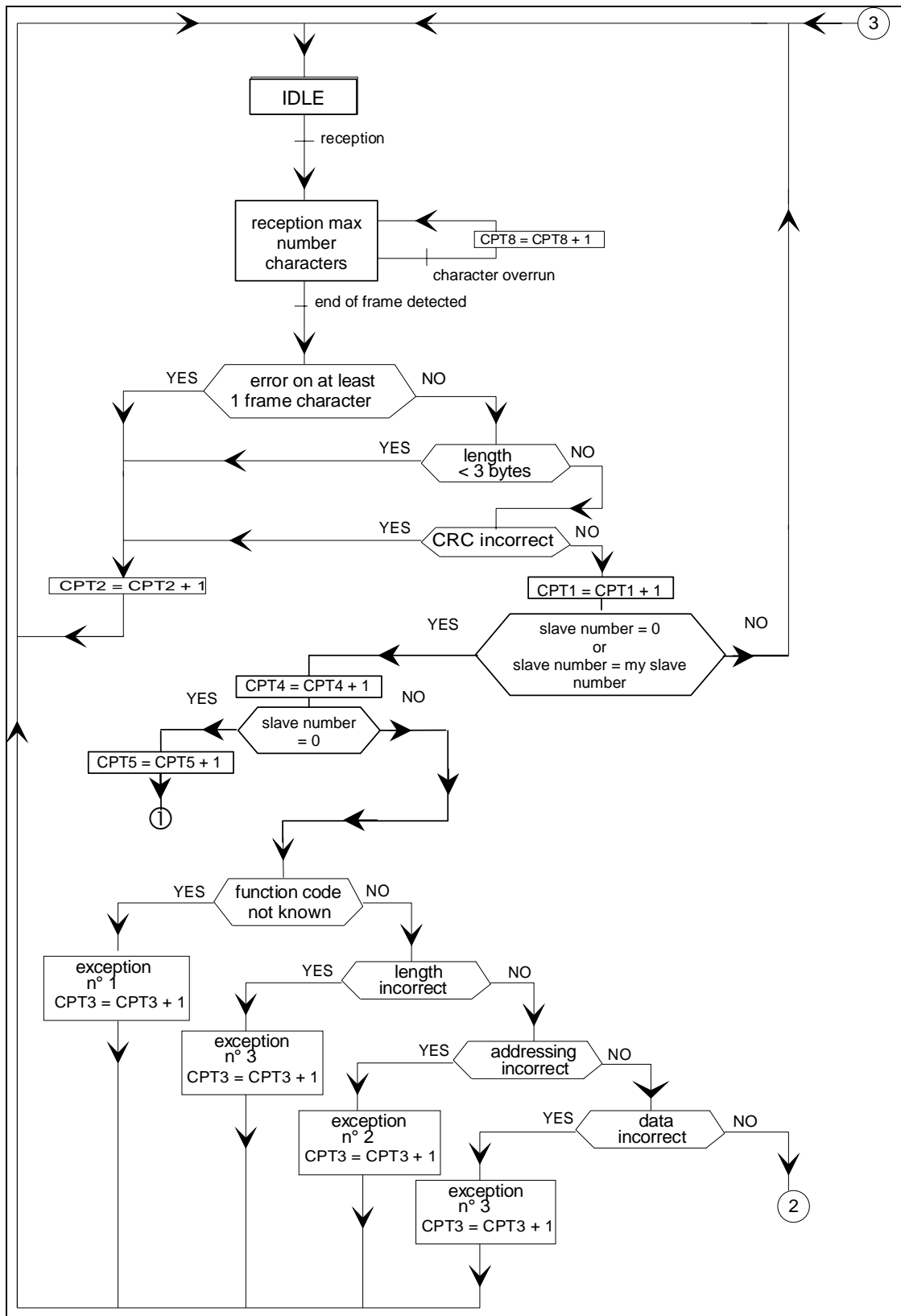
The format of the Diagnostic function is described in the MODBUS application protocol specification.

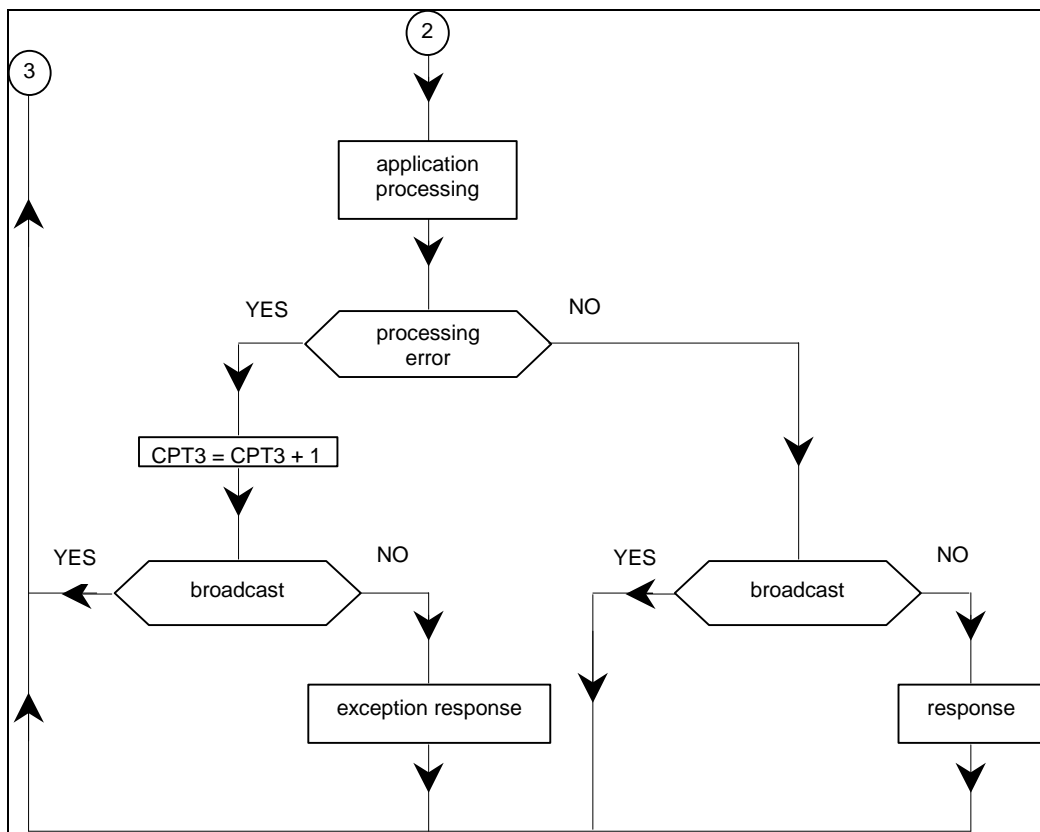
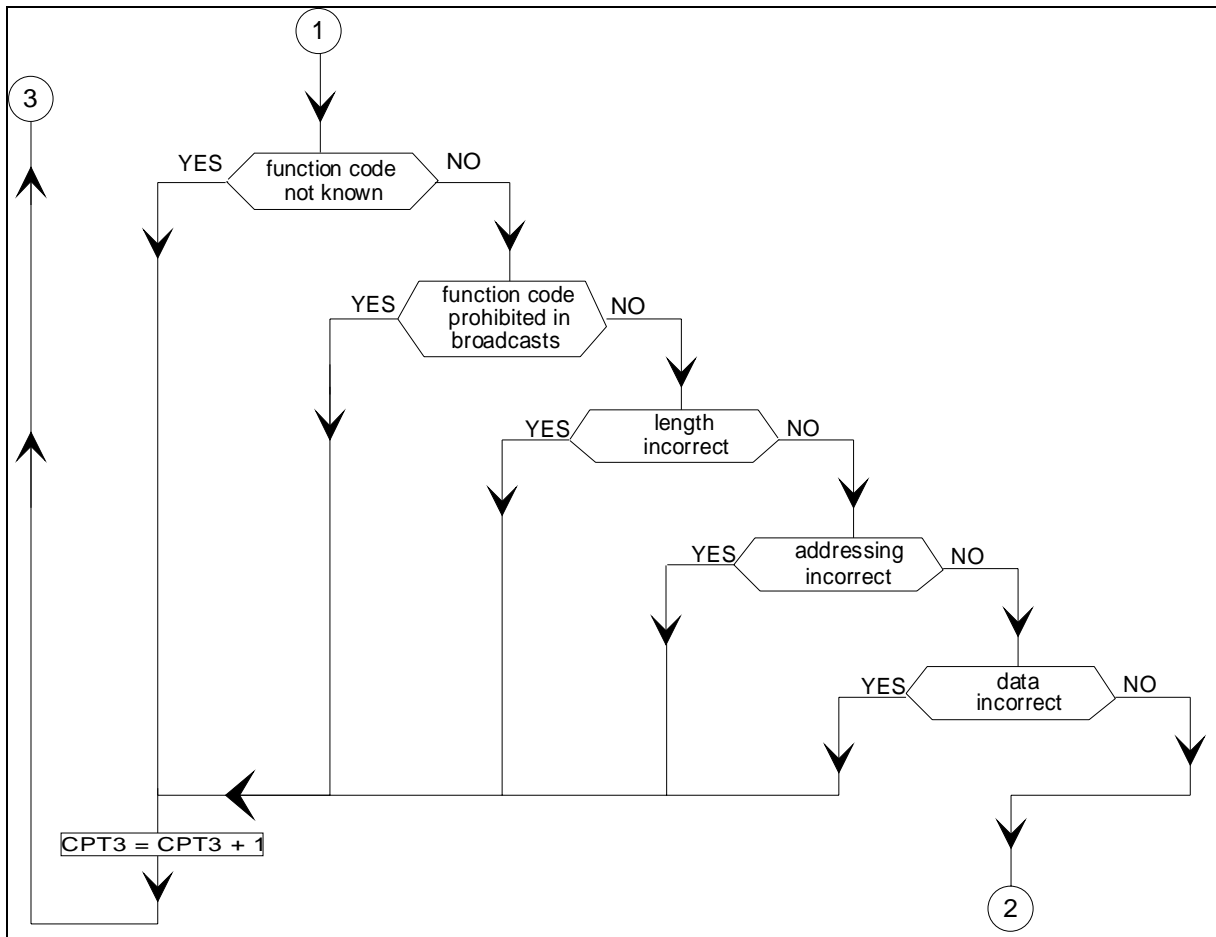
Herein is the list of diagnostics and associated sub-function codes supported by a serial line device.

| Sub-function code | Counter number | | Counters Name | Comments (for diagram below) |
|-------------------|----------------|-----|--------------------------------------|---|
| | Hex | Dec | | |
| 0x0B | 1 | | Return Bus Message Count | Quantity of messages that the remote device has detected on the communications system since its last restart, clear counters operation, or power-up. Messages with bad CRC are not taken into account. |
| 0x0C | 2 | | Return Bus Communication Error Count | Quantity of CRC errors encountered by the remote device since its last restart, clear counters operation, or power-up. In case of an error detected on the character level, (overrun, parity error), or in case of a message length < 3 bytes, the receiving device is not able to calculate the CRC. In such cases, this counter is also incremented. |
| 0x0D | 3 | | Return Slave Exception Error Count | Quantity of MODBUS exception error detected by the remote device since its last restart, clear counters operation, or power-up. It comprises also the error detected in broadcast messages even if an exception message is not returned in this case. Exception errors are described and listed in "MODBUS Application Protocol Specification" document. |
| 0x0E | 4 | | Return Slave Message Count | Quantity of messages addressed to the remote device, including broadcast messages, that the remote device has processed since its last restart, clear counters operation, or power-up. |
| 0x0F | 5 | | Return Slave No Response Count | Quantity of messages received by the remote device for which it returned no response (neither a normal response nor an exception response), since its last restart, clear counters operation, or power-up. Then, this counter counts the number of broadcast messages it has received. |
| 0x10 | 6 | | Return Slave NAK Count | Quantity of messages addressed to the remote device for which it returned a Negative Acknowledge (NAK) exception response, since its last restart, clear counters operation, or power-up. Exception responses are described and listed in "MODBUS Application Protocol Specification" document. |
| 0x11 | 7 | | Return Slave Busy Count | Quantity of messages addressed to the remote device for which it returned a Slave Device Busy exception response, since its last restart, clear counters operation, or power-up. Exception responses are described and listed in "MODBUS Application Protocol Specification" document |
| 0x12 | 8 | | Return Bus Character Overrun Count | Quantity of messages addressed to the remote device that it could not handle due to a character overrun condition, since its last restart, clear counters operation, or power-up. A character overrun is caused by data characters arriving at the port faster than they can be stored, or by the loss of a character due to a hardware malfunction. |

6.1.2 Counters Management Diagram

The following diagrams describe when each previous counters must be incremented.





6.2 Appendix B - LRC/CRC Generation

6.2.1 LRC Generation

The Longitudinal Redundancy Checking (LRC) field is one byte, containing an 8-bit binary value. The LRC value is calculated by the transmitting device, which appends the LRC to the message. The device that receives recalculates an LRC during receipt of the message, and compares the calculated value to the actual value it received in the LRC field. If the two values are not equal, an error results.

The LRC is calculated by adding together successive 8-bit bytes in the message, discarding any carries, and then two's complementing the result. The LRC is an 8-bit field, therefore each new addition of a character that would result in a value higher than 255 decimal simply 'rolls over' the field's value through zero. Because there is no ninth bit, the carry is discarded automatically.

A procedure for generating an LRC is:

1. Add all bytes in the message, excluding the starting 'colon' and ending CRLF. Add them into an 8-bit field, so that carries will be discarded.
2. Subtract the final field value from FF hex (all 1's), to produce the ones-complement.
3. Add 1 to produce the twos-complement.

Placing the LRC into the Message

When the 8-bit LRC (2 ASCII characters) is transmitted in the message, the high-order character will be transmitted first, followed by the low-order character. For example, if the LRC value is 61 hex (0110 0001):

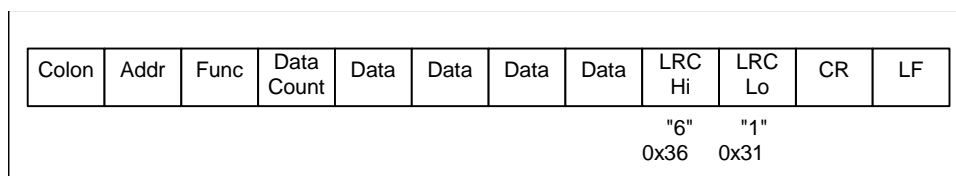


Figure 29: LRC Character Sequence

Example: an example of a C language function performing LRC generation is shown below.

The function takes two arguments:

- unsigned char *auchMsg; A pointer to the message buffer containing binary data to be used for generating the LRC,
- unsigned short usDataLen; The quantity of bytes in the message buffer.

LRC Generation Function

```
static unsigned char LRC(auchMsg, usDataLen) /* the function returns the LRC as a type unsigned char */
unsigned char *auchMsg ; /* message to calculate LRC upon */
unsigned short usDataLen ; /* quantity of bytes in message */
{
    unsigned char uchLRC = 0 ; /* LRC char initialized */
    while (usDataLen--) /* pass through message buffer */
        uchLRC += *auchMsg++ ; /* add buffer byte without carry */
    return ((unsigned char)(~((char)uchLRC))) ; /* return twos complement */
}
```

6.2.2 CRC Generation

The Cyclical Redundancy Checking (CRC) field is two bytes, containing a 16-bit binary value. The CRC value is calculated by the transmitting device, which appends the CRC to the message. The device that receives recalculates a CRC during receipt of the message, and compares the calculated value to the actual value it received in the CRC field. If the two values are not equal, an error results.

The CRC is started by first preloading a 16-bit register to all 1's. Then a process begins of applying successive 8-bit bytes of the message to the current contents of the register. Only the eight bits of data in each character are used for generating the CRC. Start and stop bits and the parity bit, do not apply to the CRC.

During generation of the CRC, each 8-bit character is exclusive ORed with the register contents. Then the result is shifted in the direction of the least significant bit (LSB), with a zero filled into the most significant bit (MSB) position. The LSB is extracted and examined. If the LSB was a 1, the register is then exclusive ORed with a preset, fixed value. If the LSB was a 0, no exclusive OR takes place.

This process is repeated until eight shifts have been performed. After the last (eighth) shift, the next 8-bit character is exclusive ORed with the register's current value, and the process repeats for eight more shifts as described above. The final content of the register, after all the characters of the message have been applied, is the CRC value.

A procedure for generating a CRC is:

1. Load a 16-bit register with FFFF hex (all 1's). Call this the CRC register.
2. Exclusive OR the first 8-bit byte of the message with the low-order byte of the 16-bit CRC register, putting the result in the CRC register.
3. Shift the CRC register one bit to the right (toward the LSB), zero-filling the MSB. Extract and examine the LSB.
4. (If the LSB was 0): Repeat Step 3 (another shift).
(If the LSB was 1): Exclusive OR the CRC register with the polynomial value 0xA001 (1010 0000 0000 0001).
5. Repeat Steps 3 and 4 until 8 shifts have been performed. When this is done, a complete 8-bit byte will have been processed.
6. Repeat Steps 2 through 5 for the next 8-bit byte of the message. Continue doing this until all bytes have been processed.
7. The final content of the CRC register is the CRC value.
8. When the CRC is placed into the message, its upper and lower bytes must be swapped as described below.

Placing the CRC into the Message

When the 16-bit CRC (two 8-bit bytes) is transmitted in the message, the low-order byte will be transmitted first, followed by the high-order byte.

For example, if the CRC value is 1241 hex (0001 0010 0100 0001):

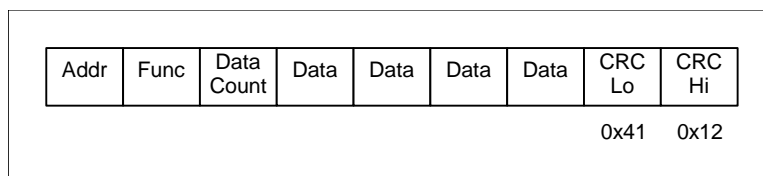
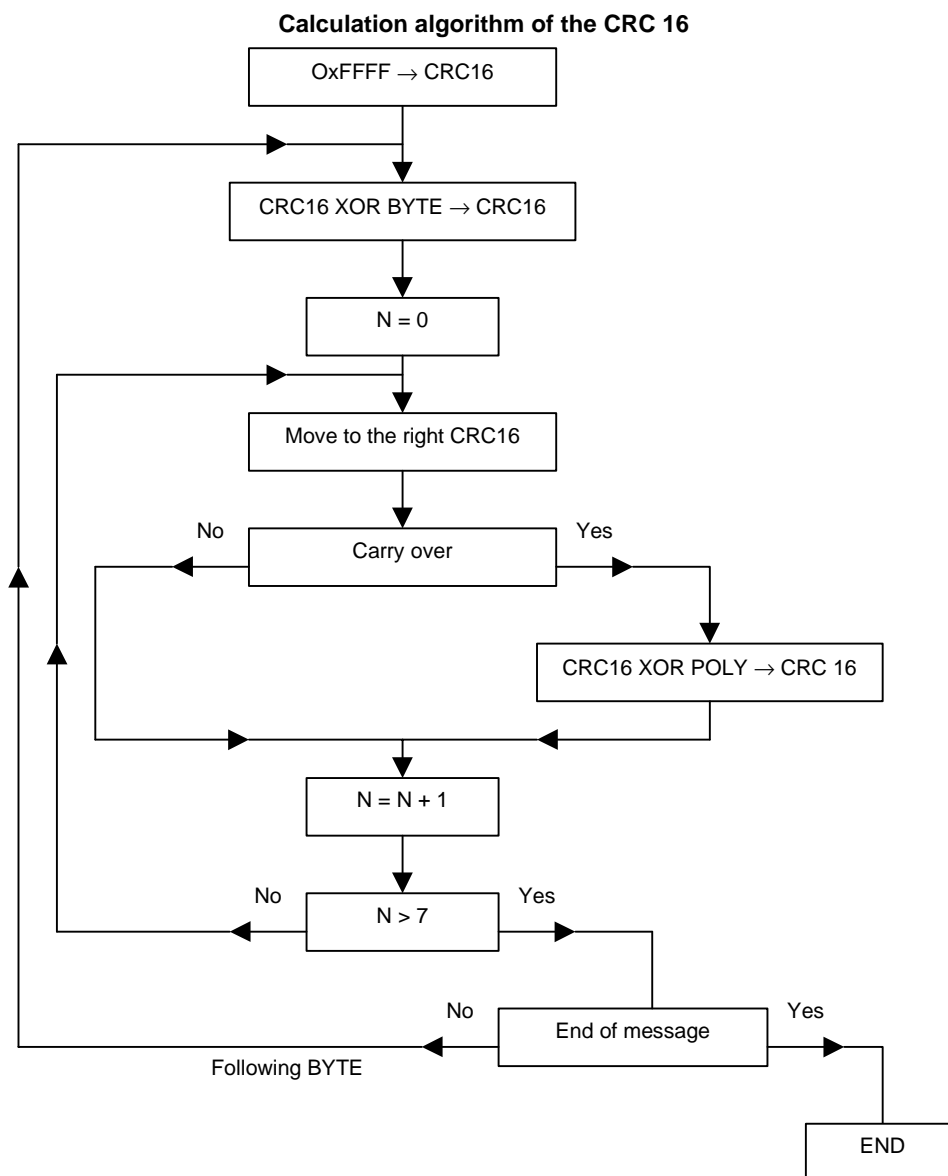


Figure 30: CRC Byte Sequence



XOR = exclusive or

N = number of information bits

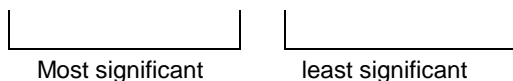
POLY = calculation polynomial of the CRC 16 = 1010 0000 0000 0001

(Generating polynomial = $1 + x_2 + x_{15} + x_{16}$)

In the CRC 16, the 1st byte transmitted is the least significant one.

Example of CRC calculation (frame 02 07)

| | | | | | |
|-----------------------------|--------|-------|------|------|--------|
| CRC register initialization | | 1111 | 1111 | 1111 | 1111 |
| XOR 1st character | | 0000 | 0000 | 0000 | 0010 |
| | | <hr/> | | | |
| | Move 1 | 1111 | 1111 | 1111 | 1101 |
| | | 0111 | 1111 | 1111 | 1110 1 |
| | | 1010 | 0000 | 0000 | 0001 |
| | | <hr/> | | | |
| Flag to 1, XOR polynomial | | 1101 | 1111 | 1111 | 1111 |
| | Move 2 | 0110 | 1111 | 1111 | 1111 1 |
| Flag to 1, XOR polynomial | | 1010 | 0000 | 0000 | 0001 |
| | | <hr/> | | | |
| | | 1100 | 1111 | 1111 | 1110 |
| | Move 3 | 0110 | 0111 | 1111 | 1111 0 |
| | Move 4 | 0011 | 0011 | 1111 | 1111 1 |
| | | 1010 | 0000 | 0000 | 0001 |
| | | <hr/> | | | |
| | | 1001 | 0011 | 1111 | 1110 |
| | Move 5 | 0100 | 1001 | 1111 | 1111 0 |
| | Move 6 | 0010 | 0100 | 1111 | 1111 1 |
| | | 1010 | 0000 | 0000 | 0001 |
| | | <hr/> | | | |
| | | 1000 | 0100 | 1111 | 1110 |
| | Move 7 | 0100 | 0010 | 0111 | 1111 0 |
| | Move 8 | 0010 | 0001 | 0011 | 1111 1 |
| | | 1010 | 0000 | 0000 | 0001 |
| | | <hr/> | | | |
| | | 1000 | 0001 | 0011 | 1110 |
| | | 0000 | 0000 | 0000 | 0111 |
| XOR 2nd character | | <hr/> | | | |
| | Move 1 | 1000 | 0001 | 0011 | 1001 |
| | | 0100 | 0000 | 1001 | 1100 1 |
| | | 1010 | 0000 | 0000 | 0001 |
| | | <hr/> | | | |
| | Move 2 | 1110 | 0000 | 1001 | 1101 |
| | | 0111 | 0000 | 0100 | 1110 1 |
| | | 1010 | 0000 | 0000 | 0001 |
| | | <hr/> | | | |
| | Move 3 | 1101 | 0000 | 0100 | 1111 |
| | | 0110 | 1000 | 0010 | 0111 1 |
| | | 1010 | 0000 | 0000 | 0001 |
| | | <hr/> | | | |
| | Move 4 | 1100 | 1000 | 0010 | 0110 |
| | Move 5 | 0110 | 0100 | 0001 | 0011 0 |
| | | 0011 | 0010 | 0000 | 1001 1 |
| | | 1010 | 0000 | 0000 | 0001 |
| | | <hr/> | | | |
| | Move 6 | 1001 | 0010 | 0000 | 1000 |
| | Move 7 | 0100 | 1001 | 0000 | 0100 0 |
| | Move 8 | 0010 | 0100 | 1000 | 0010 0 |
| | | 0001 | 0010 | 0100 | 0001 0 |



The CRC 16 of the frame is then: 4112

Example

An example of a C language function performing CRC generation is shown on the following pages. All of the possible CRC values are preloaded into two arrays, which are simply indexed as the function increments through the message buffer. One array contains all of the 256 possible CRC values for the high byte of the 16-bit CRC field, and the other array contains all of the values for the low byte.

Indexing the CRC in this way provides faster execution than would be achieved by calculating a new CRC value with each new character from the message buffer.

Note: This function performs the swapping of the high/low CRC bytes internally. The bytes are already swapped in the CRC value that is returned from the function.

Therefore the CRC value returned from the function can be directly placed into the message for transmission.

The function takes two arguments:

unsigned char *puchMsg; A pointer to the message buffer containing binary data to be used for generating the CRC
 unsigned short usDataLen; The quantity of bytes in the message buffer.

CRC Generation Function

```

unsigned short CRC16 ( puchMsg, usDataLen )                /* The function returns the CRC as a unsigned short type */
unsigned char *puchMsg ;                                  /* message to calculate CRC upon */
unsigned short usDataLen ;                               /* quantity of bytes in message */
{
    unsigned char uchCRCHi = 0xFF ;                       /* high byte of CRC initialized */
    unsigned char uchCRCLo = 0xFF ;                       /* low byte of CRC initialized */
    unsigned ulIndex ;                                    /* will index into CRC lookup table */

    while (usDataLen--)                                   /* pass through message buffer */
    {
        ulIndex = uchCRCLo ^ *puchMsg++ ;                 /* calculate the CRC */
        uchCRCLo = uchCRCHi ^ auchCRCHi[ulIndex] ;
        uchCRCHi = auchCRCLo[ulIndex] ;
    }
    return (uchCRCHi << 8 | uchCRCLo) ;
}
    
```

High-Order Byte Table

/* Table of CRC values for high-order byte */

```
static unsigned char auchCRCHi[] = {
    0x00, 0xC1, 0x81, 0x40, 0x01, 0xC0, 0x80, 0x41, 0x01, 0xC0, 0x80, 0x41, 0x00, 0xC1, 0x81,
    0x40, 0x01, 0xC0, 0x80, 0x41, 0x00, 0xC1, 0x81, 0x40, 0x00, 0xC1, 0x81, 0x40, 0x01, 0xC0,
    0x80, 0x41, 0x01, 0xC0, 0x80, 0x41, 0x00, 0xC1, 0x81, 0x40, 0x00, 0xC1, 0x81, 0x40, 0x01,
    0xC0, 0x80, 0x41, 0x00, 0xC1, 0x81, 0x40, 0x01, 0xC0, 0x80, 0x41, 0x01, 0xC0, 0x80, 0x41,
    0x00, 0xC1, 0x81, 0x40, 0x01, 0xC0, 0x80, 0x41, 0x00, 0xC1, 0x81, 0x40, 0x00, 0xC1, 0x81,
    0x40, 0x01, 0xC0, 0x80, 0x41, 0x00, 0xC1, 0x81, 0x40, 0x01, 0xC0, 0x80, 0x41, 0x01, 0xC0,
    0x80, 0x41, 0x00, 0xC1, 0x81, 0x40, 0x00, 0xC1, 0x81, 0x40, 0x01, 0xC0, 0x80, 0x41, 0x01,
    0xC0, 0x80, 0x41, 0x00, 0xC1, 0x81, 0x40, 0x01, 0xC0, 0x80, 0x41, 0x00, 0xC1, 0x81, 0x40,
    0x00, 0xC1, 0x81, 0x40, 0x01, 0xC0, 0x80, 0x41, 0x00, 0xC1, 0x81, 0x40, 0x01, 0xC0, 0x80,
    0x41, 0x00, 0xC1, 0x81, 0x40, 0x01, 0xC0, 0x80, 0x41, 0x00, 0xC1, 0x81, 0x40, 0x01, 0xC0,
    0x80, 0x41, 0x00, 0xC1, 0x81, 0x40, 0x01, 0xC0, 0x80, 0x41, 0x00, 0xC1, 0x81, 0x40, 0x01,
    0xC0, 0x80, 0x41, 0x00, 0xC1, 0x81, 0x40, 0x00, 0xC1, 0x81, 0x40, 0x01, 0xC0, 0x80, 0x41,
    0x00, 0xC1, 0x81, 0x40, 0x01, 0xC0, 0x80, 0x41, 0x01, 0xC0, 0x80, 0x41, 0x00, 0xC1, 0x81,
    0x40,
    0x40
};
```

Low-Order Byte Table

/* Table of CRC values for low-order byte */

```
static char auchCRCLo[] = {
    0x00, 0xC0, 0xC1, 0x01, 0xC3, 0x03, 0x02, 0xC2, 0xC6, 0x06, 0x07, 0xC7, 0x05, 0xC5, 0xC4,
    0x04, 0xCC, 0x0C, 0x0D, 0xCD, 0x0F, 0xCF, 0xCE, 0x0E, 0x0A, 0xCA, 0xCB, 0x0B, 0xC9, 0x09,
    0x08, 0xC8, 0xD8, 0x18, 0x19, 0xD9, 0x1B, 0xDB, 0xDA, 0x1A, 0x1E, 0xDE, 0xDF, 0x1F, 0xDD,
    0x1D, 0x1C, 0xDC, 0x14, 0xD4, 0xD5, 0x15, 0xD7, 0x17, 0x16, 0xD6, 0xD2, 0x12, 0x13, 0xD3,
    0x11, 0xD1, 0xD0, 0x10, 0xF0, 0x30, 0x31, 0xF1, 0x33, 0xF3, 0xF2, 0x32, 0x36, 0xF6, 0xF7,
    0x37, 0xF5, 0x35, 0x34, 0xF4, 0x3C, 0xFC, 0xFD, 0x3D, 0xFF, 0x3F, 0x3E, 0xFE, 0xFA, 0x3A,
    0x3B, 0xFB, 0x39, 0xF9, 0xF8, 0x38, 0x28, 0xE8, 0xE9, 0x29, 0xEB, 0x2B, 0x2A, 0xEA, 0xEE,
    0x2E, 0x2F, 0xEF, 0x2D, 0xED, 0xEC, 0x2C, 0xE4, 0x24, 0x25, 0xE5, 0x27, 0xE7, 0xE6, 0x26,
    0x22, 0xE2, 0xE3, 0x23, 0xE1, 0x21, 0x20, 0xE0, 0xA0, 0x60, 0x61, 0xA1, 0x63, 0xA3, 0xA2,
    0x62, 0x66, 0xA6, 0xA7, 0x67, 0xA5, 0x65, 0x64, 0xA4, 0x6C, 0xAC, 0xAD, 0x6D, 0xAF, 0x6F,
    0x6E, 0xAE, 0xAA, 0x6A, 0x6B, 0xAB, 0x69, 0xA9, 0xA8, 0x68, 0x78, 0xB8, 0xB9, 0x79, 0xBB,
    0x7B, 0x7A, 0xBA, 0xBE, 0x7E, 0x7F, 0xBF, 0x7D, 0xBD, 0xBC, 0x7C, 0xB4, 0x74, 0x75, 0xB5,
    0x77, 0xB7, 0xB6, 0x76, 0x72, 0xB2, 0xB3, 0x73, 0xB1, 0x71, 0x70, 0xB0, 0x50, 0x90, 0x91,
    0x51, 0x93, 0x53, 0x52, 0x92, 0x96, 0x56, 0x57, 0x97, 0x55, 0x95, 0x94, 0x54, 0x9C, 0x5C,
    0x5D, 0x9D, 0x5F, 0x9F, 0x9E, 0x5E, 0x5A, 0x9A, 0x9B, 0x5B, 0x99, 0x59, 0x58, 0x98, 0x88,
    0x48, 0x49, 0x89, 0x4B, 0x8B, 0x8A, 0x4A, 0x4E, 0x8E, 0x8F, 0x4F, 0x8D, 0x4D, 0x4C, 0x8C,
    0x44, 0x84, 0x85, 0x45, 0x87, 0x47, 0x46, 0x86, 0x82, 0x42, 0x43, 0x83, 0x41, 0x81, 0x80,
    0x40
};
```

6.3 Appendix E - References

- | | |
|---------------------------|--|
| ANSI/ TIA/ EIA-232-F-1997 | Interface Between Data Terminal Equipment and Data Circuit-Terminating Equipment Employing Serial Binary Data Interchange. |
| ANSI/ TIA/ EIA-485-A-1998 | Electrical Characteristics of Generators and Receivers for Use in Balanced Digital Multipoint Systems. |
| MODBUS.org | MODBUS application protocol specification |